

**Downlights Specification**

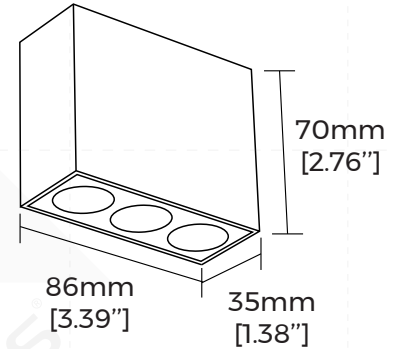
# GLE-MM35G03

— **MAGICUBE Series**



## 【Basic Parameters】

- Material: AL6063-T5, spraying surface
- Coating: White(RAL9003)
- Lighting direction: downward
- Light efficiency: 60LM/W
- Beam angle: 30°/45° optional
- UGR : ≤13(X=4H,Y=8H)
- Dimming method: Non/1-10V/DALI optional
- Color tolerance: SDCM≤3(ANSI)
- CRI: 90
- CCT: 2700/3000/3500/4000K optional
- Input voltage: AC220-240V
- Application: Indoor
- Installation: Ceiling
- Power installation: Non dimming: Built-in/Dimming: External
- IP grade: IP20
- Certification: CE, ROHS, Reach
- Warranty: 3 years



## 【Luminaire Parameters】

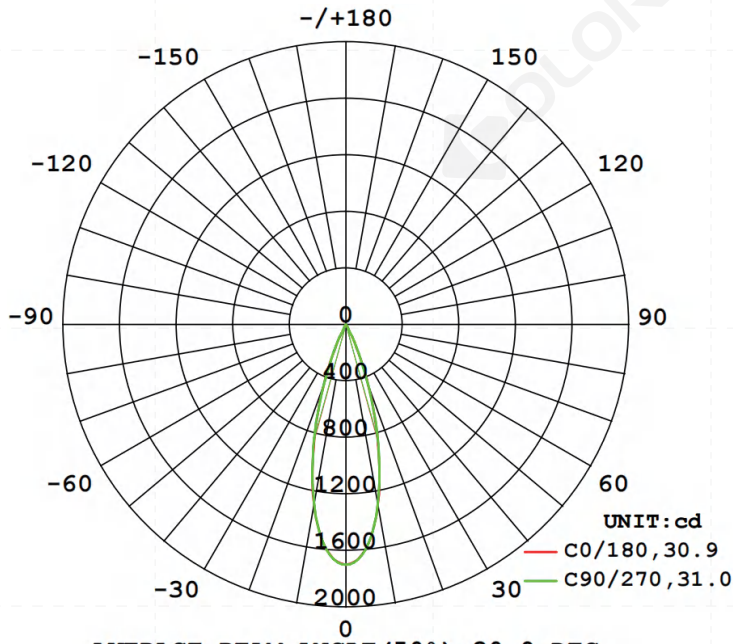
Model	Size (mm)	Hole size (mm)	Input Voltage (V)	Max. Current (A)	Type Power (W)	Beam angle (°)	CRI	CCT	Lumen (LM)
GLE-MM35G03	86*35*70 [3.39**1.38**2.76"]	/	AC220V-240V	0.7	8	30°	>90	2700K	450
								3000K	460
								3500K	470
								4000K	480
						45°		2700K	360
								3000K	370
								3500K	380
								4000K	390

Note:

1. The above parameters were tested based on Ra90, 4000K, light source;
2. luminous flux is allowed to have a ±10% error range;
3. The input voltage of the light source is 9V and the input current is 700mA
4. The above parameters are typical values.

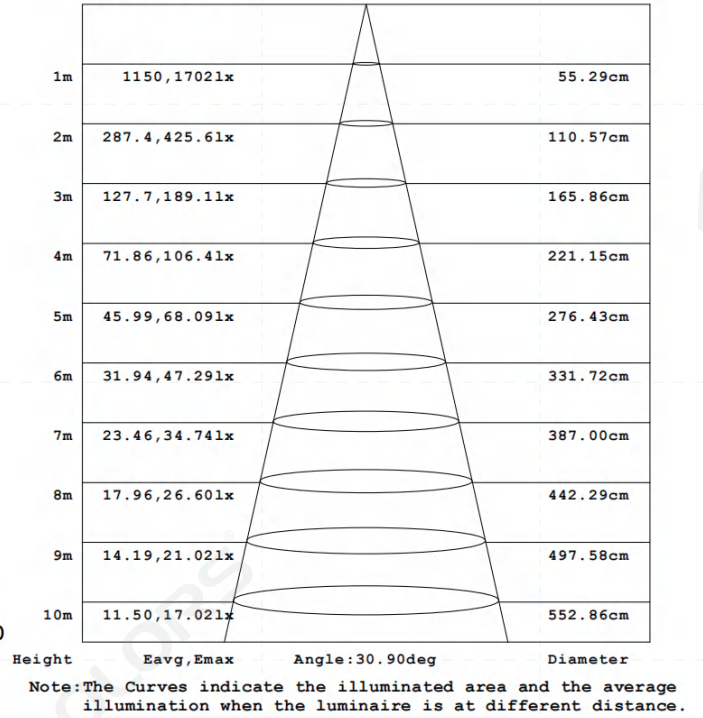
## [Optical Parameter]

Beam angle:30°



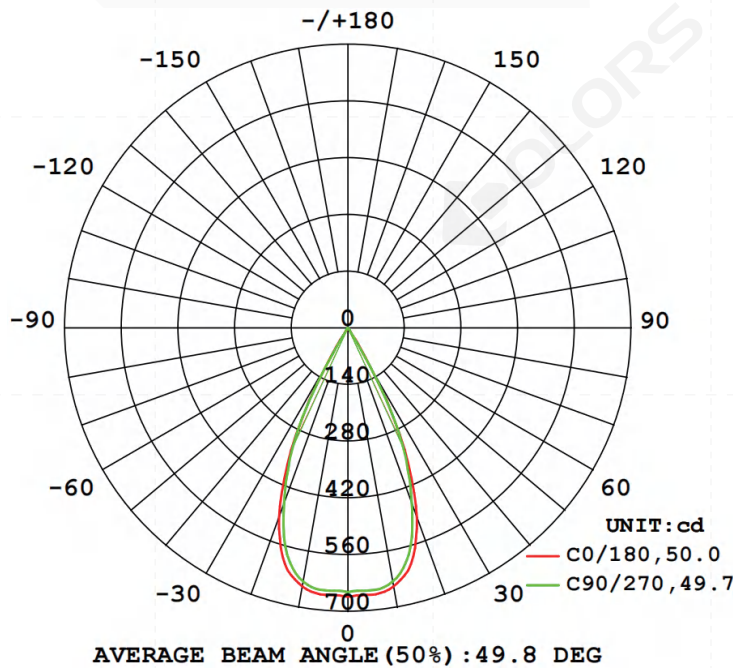
luminous intensity  
distribution diagram

Flux out:297.0 lm



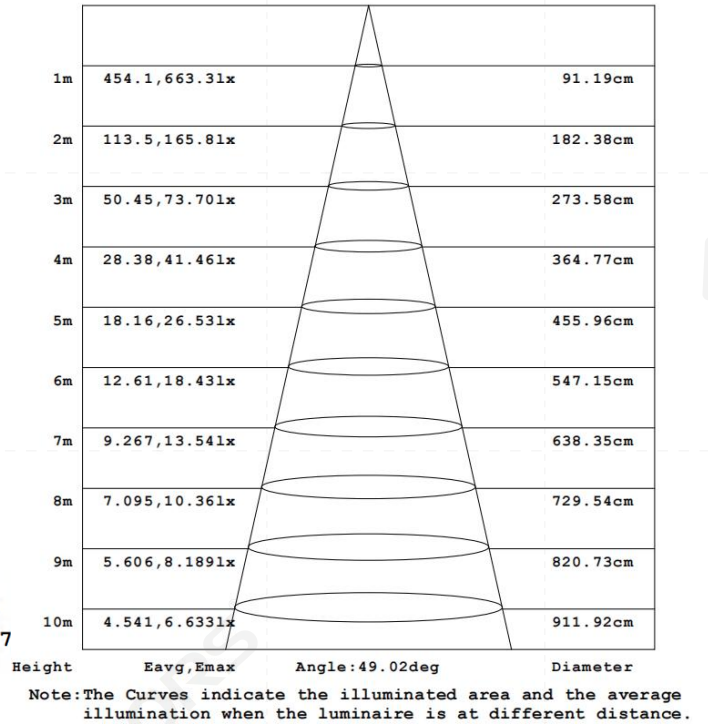
AAI Figure

Beam angle:45°



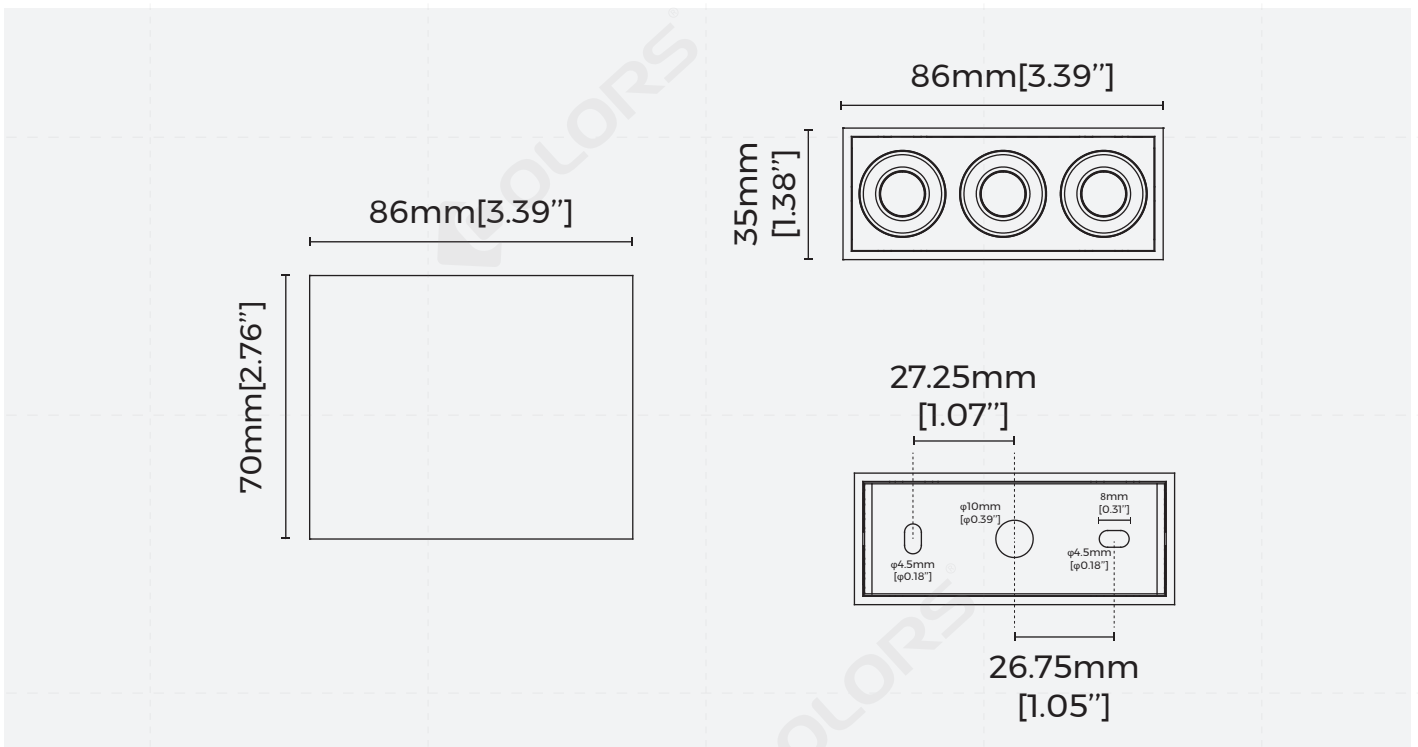
luminous intensity  
distribution diagram

Flux out:310.2 lm



AAI Figure

## [Product mechanical data]



## [Packing]

Model	Demension (mm)	Quantity /box	Quantity /carton	NW (kg)	NW /carton/(kg)	GW (kg)	Carton size (mm)
GLE-MM35G03	86*35*70 [3.39"*1.38"*2.76"]	1	36	0.234	8.424	11.5	400*350*280 [15.75"*13.8"*11"]

## [Attentions]

- 1、 Non-professionals are prohibited from installing, disassembling and repairing the product.
- 2、 Avoid scratching, distortion and irregular bending of the product during installation; otherwise it may cause irreparable damage to the product.
- 3、 Please use professional cutting tools when cutting
- 4、 Do not use any acid or alkaline adhesive to fix products
- 5、 The product is only suitable for indoor dry places, can not be used in outdoor, seaside or wet environment.