

Downlights Specification

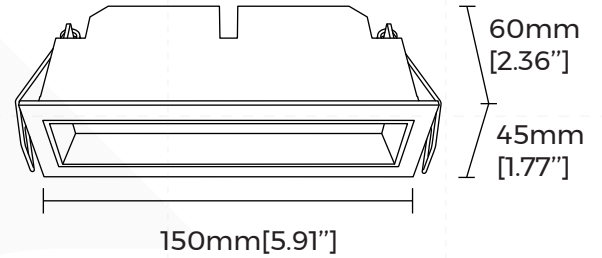
GLE-ME35D15

— **MAGICUBE Series**



【Basic Parameters】

- Material: AL6063-T5, spraying surface
- Coating: White(RAL9003)
- Lighting direction: downward
- Light efficiency: 30LM/W
- Beam angle: 80°
- UGR : ≤13(X=4H,Y=8H)
- Dimming method: Non/1-10V/DALI optional
- Color tolerance: SDCM≤3(ANSI)
- CRI: 90
- CCT: 2700/3000/3500/4000K optional
- Input voltage: AC220-240V
- Application: Indoor
- Installation: Recessed
- Power installation: External
- IP grade: IP20
- Certification: CE, ROHS, Reach
- Warranty: 3 years



【Luminaire Parameters】

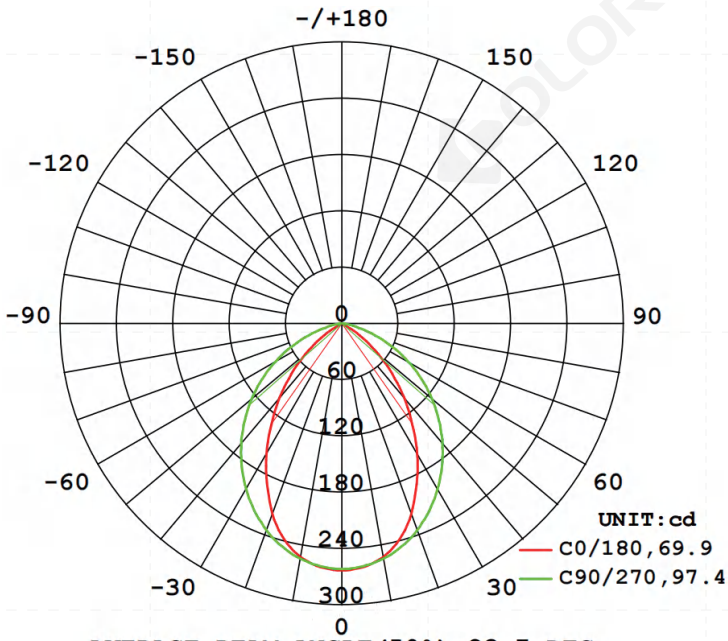
Model	Size (mm)	Hole size (mm)	Input Voltage (V)	Max. Current (A)	Type Power (W)	Beam angle (°)	CRI	CCT	Lumen (LM)
GLE-ME35D15	150*45*60 [5.91"*1.77"*2.36"]	142*37 [5.59"*1.46"]	AC220V-240V	0.7	15	80°	>90	2700K	420
								3000K	430
								3500K	440
								4000K	450

Note:

1. The above parameters were tested based on Ra90, 4000K, light source;
2. luminous flux is allowed to have a ±10% error range;
3. The input voltage of the light source is 15V and the input current is 700mA
4. The above parameters are typical values.

[Optical Parameter]

Beam angle: 80°



luminous intensity distribution diagram

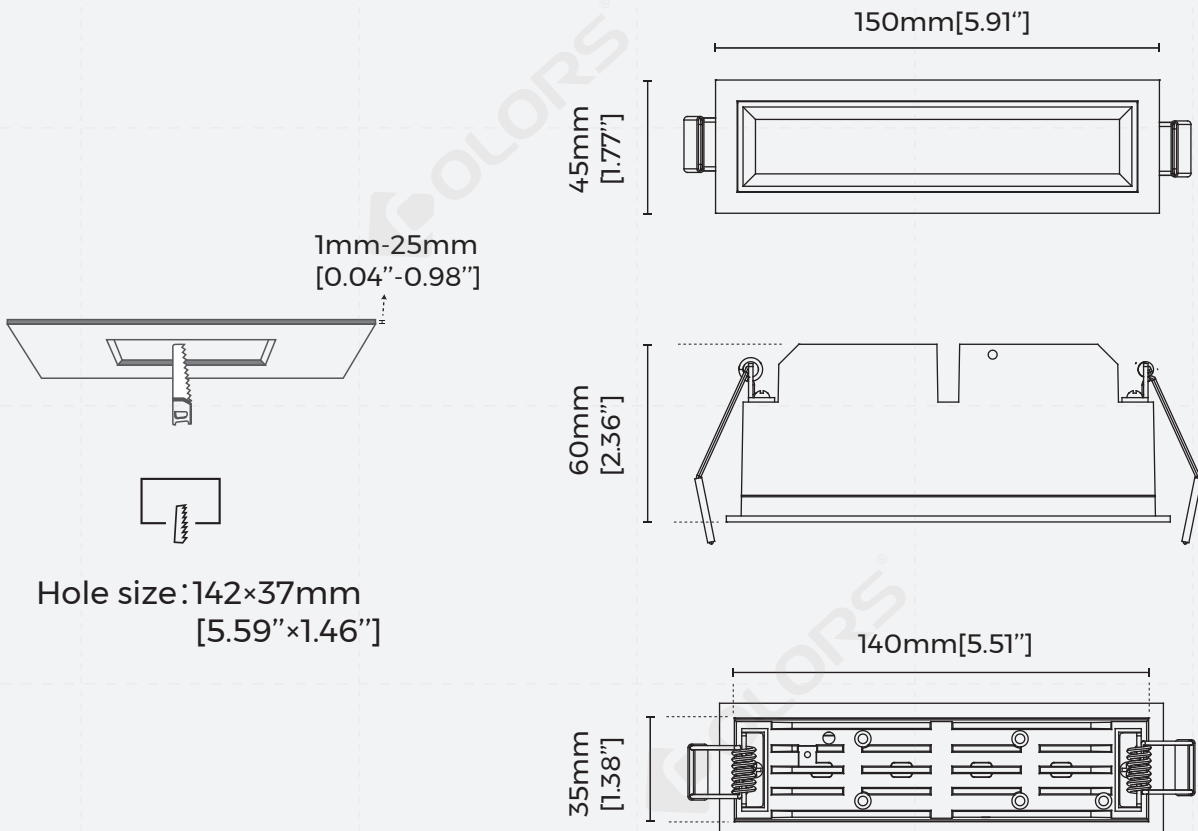
Flux out: 236.9 lm

Height	Eavg, Emax	Angle: 69.87deg	Diameter
1m	153.8, 263.31x		139.69cm
2m	38.45, 65.831x		279.39cm
3m	17.09, 29.261x		419.08cm
4m	9.613, 16.461x		558.78cm
5m	6.153, 10.531x		698.47cm
6m	4.273, 7.3151x		838.17cm
7m	3.139, 5.3741x		977.86cm
8m	2.403, 4.1141x		1117.56cm
9m	1.899, 3.2511x		1257.25cm
10m	1.538, 2.6331x		1396.94cm

Note: The Curves indicate the illuminated area and the average illumination when the luminaire is at different distance.

AAI Figure

[Product mechanical data]



[Packing]

Model	Demension (mm)	Quantity /box	Quantity /carton	NW (kg)	NW /carton/(kg)	GW (kg)	Carton size (mm)
GLE-ME35D15	150*45*60 [5.91"*1.77"*2.36"]	1	10	0.338	3.38	6	475*202*180 [18.7"*7.95"*7.09"]

[Attentions]

- 1、 Non-professionals are prohibited from installing, disassembling and repairing the product.
- 2、 Avoid scratching, distortion and irregular bending of the product during installation; otherwise it may cause irreparable damage to the product.
- 3、 Please use professional cutting tools when cutting
- 4、 Do not use any acid or alkaline adhesive to fix products
- 5、 The product is only suitable for indoor dry places, can not be used in outdoor, seaside or wet environment.