

**Free-Dot System Specification**

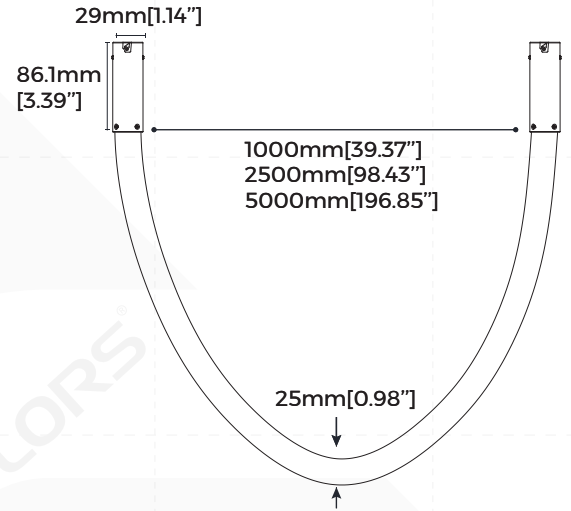
# HM40NK

— HOLA series



## 【Basic Parameters】

- Installation: Ceiling
- Material: Silicone Neon
- Coating: Black/White(Customizable) optional
- Dimming method: Non/DALI-2/CASAMBI
- Input voltage: DC48V
- SDCM: <5 Step (ANSI)
- CRI: 90
- CCT: 2700/3000/4000K optional
- Beam angle: 360°
- Application: Indoor
- IP grade: IP20
- Warranty: 5 years
- Certification: CE、UKCA、ETL、ROHS、Reach



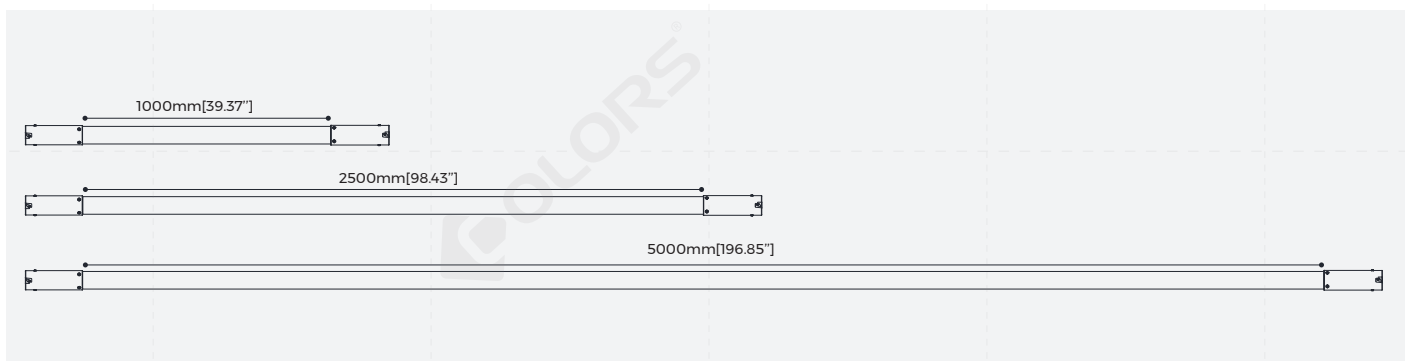
## 【Luminaire Parameters】

Version	Model	Length	Input Voltage (V)	Max. Current (A)	Type Power (W)	Max. Power (W)	CRI	CCT	Lumen (LM)
Normal	HM40NK	1000mm [3.28ft]	DC48V	0.29	14	14	>90	2700K	900 [274LM/ft]
								3000K	920 [280LM/ft]
								4000K	980 [299LM/ft]
		2500mm [8.2ft]		2700K	2250 [274LM/ft]				
				3000K	2300 [280LM/ft]				
				4000K	2450 [299LM/ft]				
		5000mm [16.4ft]		2700K	4500 [274LM/ft]				
				3000K	4600 [280LM/ft]				
				4000K	4900 [299LM/ft]				

Note:


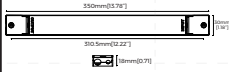




1. The above parameters were tested based on Ra90, 4000K, light source;
2. luminous flux is allowed to have a  $\pm 10\%$  error range;
3. The above parameters are typical values.

## [Product mechanical data]



## [Product Accessories Information]

Picture	Section size	Name	Description	Model
		Base	Material: PC+ADC12 Input Voltage:DC48V Coating:Black,White Open Size: $\phi$ 45mm Rated Power:150W Rated Current:3A Certification:CE Warranty:5 years Maximum load: 8Kg/Lamp	RA-HR40(N)
		Base	Material: PC+ADC12 Input Voltage:DC48V Coating:Black,White Open Size: $\phi$ 55mm Rated Power:150W Rated Current:3A Certification:CE Warranty:5 years Maximum load: 1Kg/Lamp	RA-HE40
		Quick connector	Material:PA6 Size:L38*W9.4*H10.5mm [Inch Size: L1.5\"*W0.37\"*H0.41\"] Applicable wires: solid wire:0.5-4mm <sup>2</sup> stranded wire:0.5-2.5mm <sup>2</sup> Rated Voltage:250V/600V Rated Current:32A Certification:CE Warranty:3 years	TB-02
		CASAMBI controller	Dimming mode: CASAMBI Size :180*42*25mm [Inch Size:7.09\"*1.65\"*0.98\"] Input voltage :24-48VDC Output signal:DALI Output DALI Max.current: 250mA Control devices: $\leq$ 64 Control groups: $\leq$ 8 Certification:CE,UKCA Warranty:5 years	1200EN1612-CAS -0-0000003  Controller should be used with DALI dimming modules.

		<p>Power supply</p>	<p>Dimming mode: Non-dimming Size:350*30*18mm Input voltage:AC220~240V Operating frequency: 50/60Hz PF value:≥0.9 Output voltage:48V Output current:2.1A Power:0-100W Efficiency:0.9</p>	<p>BN-V48-100P</p>	
		<p>Power supply</p>	<p>Dimming mode: Non-dimming Size:350*30*18mm Input voltage:AC220~240V Operating frequency: 50/60Hz PF value:≥0.95 Output voltage:48V Output current:3.125A Power:0-150W Efficiency:0.9</p>	<p>BN-V48-150P</p>	<p>Power supply Accessories</p>
		<p>Power supply</p>	<p>Dimming mode: Non-dimming Size:400*40*22mm Input voltage:AC220~240V Operating frequency: 50/60Hz PF value:≥0.95 Output voltage:48V Output current:5.12A Power:0-250W Efficiency:0.9</p>	<p>BN-V48-250P</p>	

Note:

1. Max. power cable (16AWG main cable) of base ≤ 50M
2. Total power of modules during work < 80%-85% output power of supply

## [System]



## [Packing]

Model	Size (mm/box)	Quantity /box	Quantity /carton	NW (kg/box)	NW (kg/carton)	CW (kg)	Size (mm/carton)
FD-HM40NK1000-N940B14	410*410*260 (16.14"*16.14"*10.24")	1	4	0.8	3.2	4	410*410*260 (16.14"*16.14"*10.24")
FD-HM40NK2500-N940B35	410*410*260 (16.14"*16.14"*10.24")	1	3	1.65	4.95	5.6	410*410*260 (16.14"*16.14"*10.24")
FD-HM40NK5000-N940B70	410*410*260 (16.14"*16.14"*10.24")	1	2	4.1	8.2	9	410*410*260 (16.14"*16.14"*10.24")

## [Attentions]

- 1、 Non-professionals are prohibited from installing, disassembling and repairing the product
- 2、 Avoid scratching, distortion and irregular bending of the product during installation; otherwise it may cause irreparable damage to the product.
- 3、 Please use professional cutting tools when cutting
- 4、 Do not use any acid or alkaline adhesive to fix products
- 5、 The product is only suitable for indoor dry places, can not be used in outdoor, seaside or wet environment
- 6、 PC features: Each 10°C rise or drop will make diffuser extend or shrink 0.8mm/m, please confirm before processing and use.
- 7、 The insertion and removal of the base and lighting module shall not exceed 50 times