

Plug-in System **Specification**

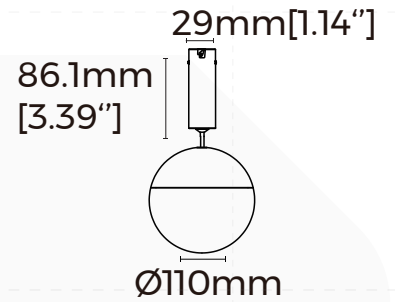
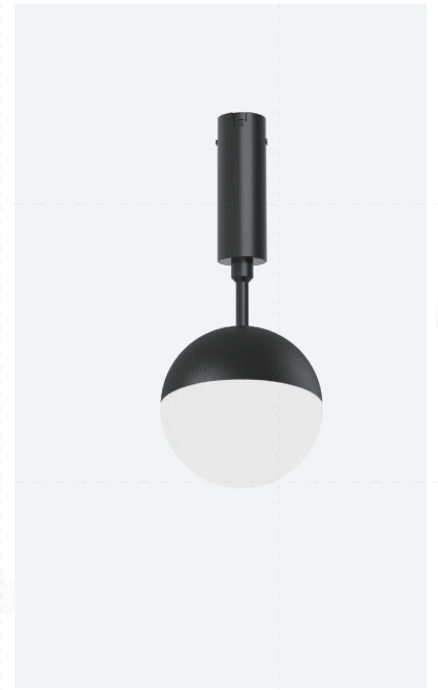
HM40IB-110(B)

— HOLA series



【Basic Parameters】

- Installation: Pendant
- Material: AL6063-T5
- Coating: Black(RAL9005)
- Dimming method: Non/DALI-2/CASAMBI
- Input voltage: DC24-48V
- SDCM: <5 Step (ANSI)
- UGR: /
- CRI: 90
- CCT: 2700/3000/4000K optional
- Beam angle: 360°
- Application: Indoor
- IP grade: IP20
- Warranty: 5 years
- Certification: CE、UKCA、ROHS、Reach



【Luminaire Parameters】

Version	Model	Length	Input Voltage (V)	Max. Current (A)	Type Power (W)	Max. Power (W)	CRI	Beam Angle	CCT	Lumen (LM)
Normal	HM40IB-110(B)	/	DC24-48V	0.2/0.1	5	5	>90	360°	2700K	390
									3000K	400
									4000K	425

Note:

1. The above parameters were tested based on Ra90, 4000K, 36° light source;
2. luminous flux is allowed to have a ±10% error range;
3. The above parameters are typical values.

[Product Accessories Information]

Picture	Section size	Name	Description	Model	Note
		Base	Material: PC+ADC12 Input Voltage:DC48V Coating:Black,White Open Size: ϕ 45mm Rated Power:150W Rated Current:3A Certification:CE Warranty:5 years Maximum load: 8Kg/Lamp	RA-HR40(N)	
		Base	Material: PC+ADC12 Input Voltage:DC48V Coating:Black,White Open Size: ϕ 55mm Rated Power:150W Rated Current:3A Certification:CE Warranty:5 years Maximum load: 1Kg/Lamp	RA-HE40	
		Quick connector	Material:PA6 Size:L38*W9.4*H10.5mm [Inch Size: L1.5"*W0.37"*H0.41"] Applicable wires: solid wire:0.5-4mm ² stranded wire:0.5-2.5mm ² Rated Voltage:250V/600V Rated Current:32A Certification:CE Warranty:3 years	TB-02	
		CASAMBI controller	Dimming mode: CASAMBI Size :180*42*25mm [Inch Size:7.09"*1.65"*0.98"] Input voltage :24-48VDC Output signal:DALI Output DALI Max.current: 250mA Control devices: \leq 64 Control groups: \leq 8 Certification:CE,UKCA Warranty:5 years	1200EN1612-CAS -0-0000003	Controller should be used with DALI dimming modules.
		Power supply	Dimming mode: Non-dimming Input: AC220-240V~ 50/60Hz PF \geq 0.95 Output voltage:48VDC Output current:2.1/3.13/5.21A Power:100/150/250w Efficiency:0.9	BN-V48-XXXX	
	/	Power supply	Dimming mode: Non-dimming Input: AC220-240V~ 50/60Hz PF value: \geq 0.95 Output voltage:48V Output current:2.5/4.17/1.25A Power:30/60/100W Efficiency:0.9	BN-V24-XXXX	Power supply Accessories

Note:

1. Max. power cable (16AWG main cable) of base \leq 50M
2. Total power of modules during work < 80%-85% output power of supply

[Packing]

Model	Size (mm/box)	Quantity /box	Quantity /carton	NW (kg/box)	NW (kg/carton)	GW (kg)	Size (mm/carton)
FD-HM40IB110(B)-XXX	248*178*148 (9.76"*7"*5.83")	1	18	0.45	8.1	11.4	555*510*475 (21.85"*20.08"*18.7")

[Attentions]

- 1、 Non-professionals are prohibited from installing, disassembling and repairing the product
- 2、 Avoid scratching, distortion and irregular bending of the product during installation; otherwise it may cause irreparable damage to the product.
- 3、 Please use professional cutting tools when cutting
- 4、 Do not use any acid or alkaline adhesive to fix products
- 5、 The product is only suitable for indoor dry places, can not be used in outdoor, seaside or wet environment
- 6、 PC features: Each 10°C rise or drop will make diffuser extend or shrink 0.8mm/m, please confirm before processing and use.
- 7、 The insertion and removal of the base and lighting module shall not exceed 50 times