

Downlight Specification

GTE170L2

— **GIANT series**



◎ Basic Parameters

- Material: AL6063-T5, spraying surface
- Driver Installation: Remote
- IP grade: IP20
- CCT: 3000K/4000K optional
- CRI: 90
- SDCM(Light source): <3 Step (ANSI)
- Beam angle: 12°/24°/38°/50° optional
- UGR(X=4H,Y=8H): $\leq 1(12^\circ/24^\circ/38^\circ)$, $\leq 10(50^\circ)$
- Lighting direction: Downward
- Dimming method: Non / 0-10V / DALI optional
- Input voltage: AC220-240V
- Working temperature: -15°C~30°C
- Application: Indoor
- Installation: Recessed
- Certification: CE, UKCA, ROHS, Reach
- Warranty: 5 years



◎ Frame Color



White

◎ Reflector Color



Matte black



Matte white

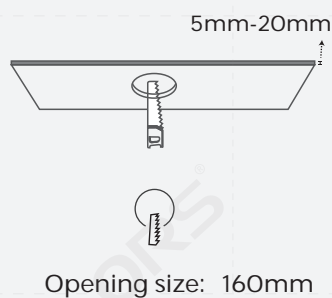
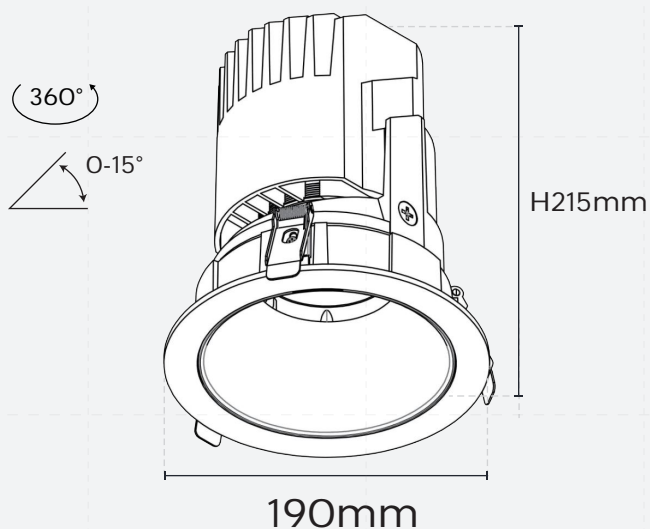


Mirror



Black chrome

◎ Product mechanical data



© Luminaire Parameters

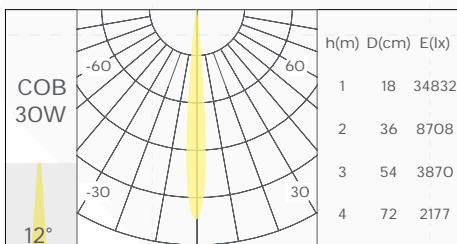
| Model | Input Voltage (V) | Input Current .LED(mA) | Type Power (W) | CRI | Beam Angle | CCT | Lumen (LM) |
|----------|-------------------|------------------------|----------------|-----|------------|-------|------------|
| GTEI70L2 | DC36 | 750 | 30 | >90 | 12° | 3000K | 1800 |
| | | | | | | 4000K | 1950 |
| GTEI70L2 | DC36 | 1500 | 60 | >90 | 24° | 3000K | 3780 |
| | | | | | | 4000K | 4065 |
| GTEI70L2 | DC36 | 1500 | 60 | >90 | 38° | 3000K | 3780 |
| | | | | | | 4000K | 4065 |
| GTEI70L2 | DC36 | 1500 | 60 | >90 | 50° | 3000K | 3600 |
| | | | | | | 4000K | 3870 |

Note:

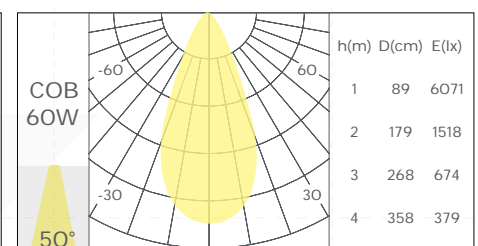
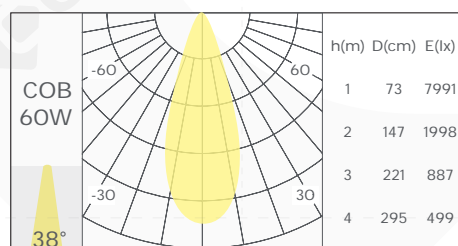
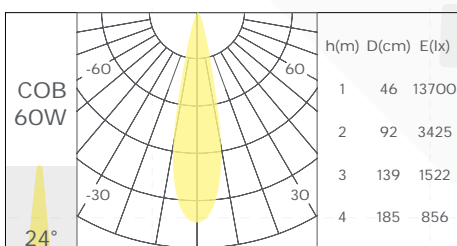
1. The above parameters are based on the light source of Ra90 and 3000K;
2. The input voltage and input current belong to the light source.
3. luminous flux is allowed to have a $\pm 10\%$ tolerance.;
4. The above parameters are typical values.

© Optical Parameter

· Typ.Power:30W



· Typ.Power:60W



Note:

1. Central light intensity value = 1 meter maximum luminous intensity value;
 1. N meter maximum luminous intensity value = Central light intensity value/ N^2 ;
- For example: 2 meter maximum luminous intensity value = Central light intensity value/ 2^2 ;

◎Packing

| Model | Size (mm/box) | Quantity /box | Quantity /carton | NW (kg/box) | NW (kg/carton) | GW (kg) | Size (mm/carton) |
|----------|---------------|---------------|------------------|-------------|----------------|---------|------------------|
| GTE170L2 | 168*144*100 | 1 | 2 | 3.15 | 6.3 | 8.34 | 270*265*310 |

◎Model Code

| DL - | GT | E | 170 | L | 2 | - | 60 | 90 | 30 | 24 - | N | B | B |
|-------------------------|--------------------|-----------------------------------------------------|--------------------------------------------------------|---------------------|-----------------------------------------------------------------------------|---|----------------------------------|------------------|-------------------------------|--------------------------------------------------------|-------------------------------------------------------------------------------------------------------------|---------------------------------------------|--------------------------------------------------------------------------------------------------------|
| System DL Downlights | Series GT GIANT | Installation E. Recessed R. Trimless Recessed | Opening Size 120: 120mm 145: 145mm 170: 170mm | Diffuser L. Lens | Type 1. Vertical angle is not adjustable 2. Vertical angle adjustable | | Type Power 30: 30W 60: 60W | CRI 90: Ra>90 | CCT 30: 3000K 40: 4000K | Beam angle 12: 12° 24: 24° 38: 38° 50: 50° | Dimming Method N: Non-Dimming D: 0-10V Dimming A: DALI Dimming T: Tralic Dimming X: No Power | Color W: White(Frame) B: Black(Frame) | Reflector Color M: Mirror C: Black chrome B: Matte Black W: Matte White S: Matte Silver |

◎Attentions

- 1、 Non-professionals are prohibited from installing, disassembling and repairing the product.
- 2、 Avoid scratching, distortion and irregular bending of the product during installation; otherwise it may cause irreparable damage to the product.
- 3、 Please use professional cutting tools when cutting
- 4、 Do not use any acid or alkaline adhesive to fix products
- 5、 The product is only suitable for indoor dry places, can not be used in outdoor, seaside or wet environment.