

**Downlight Specification**

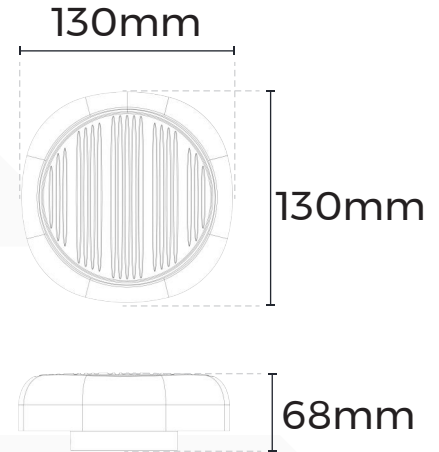
# FW130L1

— Firefly series



## Basic Parameters

- Material: AL6063-T5, spraying surface
- Driver Installation: Remote
- IP grade: IP65
- CCT: 3000K
- CRI: 90
- SDCM: <7 Step (ANSI)
- Beam angle: 100°
- Dimming method: Non-dimming
- Input voltage: AC220-240V
- Working temperature: -15°C~45°C
- Application: Outdoor
- Installation: Wall-mounted
- Certification: CE, UKCA, ROHS, Reach
- Warranty: 5 years



## Cover Color



White



Green



Orange



Grey

## Luminaire Parameters

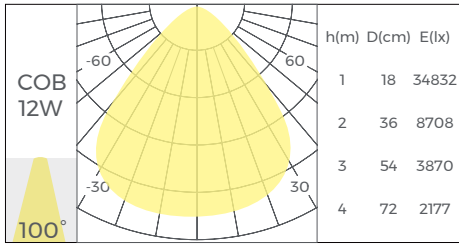
Model	Input Voltage (V)	Input Current .LED(mA)	Type Power (W)	CRI	Beam Angle	CCT	Lumen (LM)
FWI30L1	DC36	300	12	>90	100°	3000K	660

Note:

1. The input voltage of light source is 36VDC.
2. luminous flux is allowed to have a ±10% tolerance.;
3. The above parameters are typical values.

## Optical Parameter

Typ.Power:12W



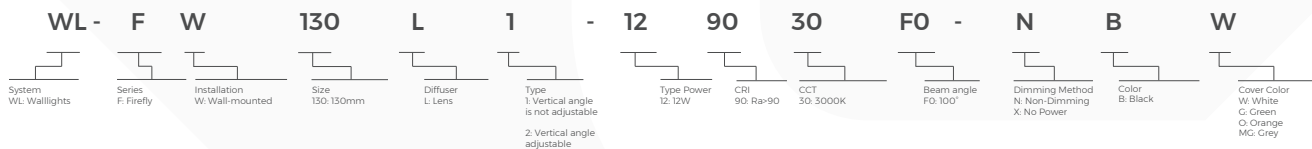
Note:

- Central light intensity value = 1 meter maximum luminous intensity value;
- N meter maximum luminous intensity value = Central light intensity value/N<sup>2</sup>;  
For example: 2 meter maximum luminous intensity value = Central light intensity value/2<sup>2</sup>;

## Packing

Model	Size (mm/box)	Quantity /box	Quantity /carton	NW (kg/box)	NW (kg/carton)	CW (kg)	Size (mm/carton)
FWI30L1	170*170*95	1	6	0.9	5.4	6.86	360*190*310

## Model Code



## Attentions

- Non-professionals are prohibited from installing, disassembling and repairing the product.
- Avoid scratching, distortion and irregular bending of the product during installation; otherwise it may cause irreparable damage to the product.
- Please use professional cutting tools when cutting
- Do not use any acid or alkaline adhesive to fix products
- The product is only suitable for indoor dry places, can not be used in outdoor, seaside or wet environment.