

Downlight Specification

AE95L1

— Aurora series



◎ Basic Parameters

- Material: AL1060, spraying surface
- Driver Installation: Remote
- IP grade: IP20
- CCT: 2700/3000/3500/4000K optional
- CRI: 90
- SDCM(Light source): <3 Step (ANSI)
- Beam angle: Wall washer
- UGR(X=4H,Y=8H): /
- Lighting direction: Downward
- Dimming method: Non / 0-10V / Triac/ DALI optional
- Input voltage: AC220-240V
- Working temperature: -15°C~30°C
- Application: Indoor
- Installation: Recessed
- Certification: CE, ROHS, Reach
- Warranty: 5 years



◎ Frame Color



Black



White

◎ Reflector type

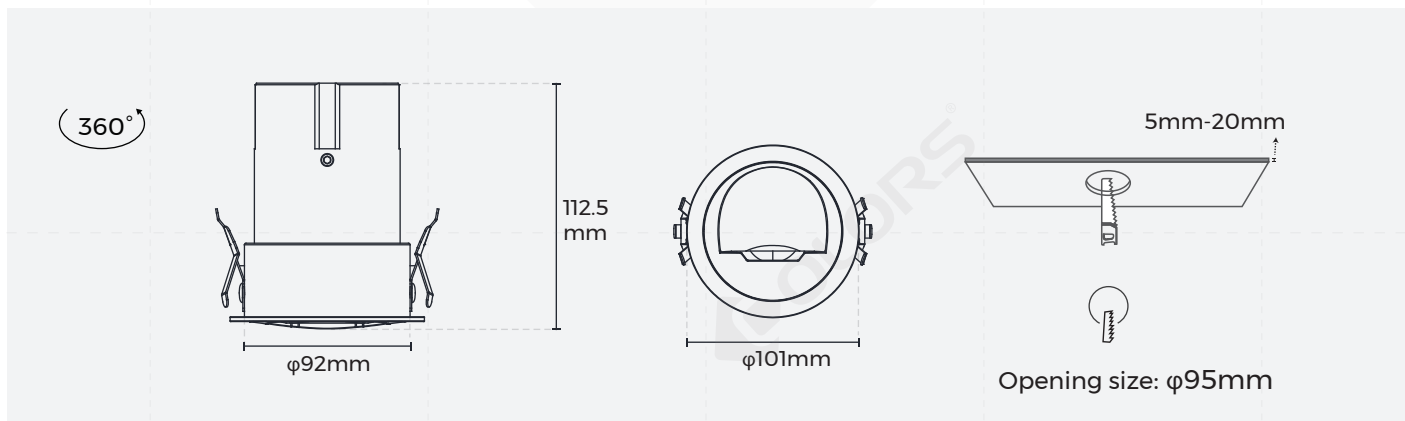


Mirror



Black chrome

◎ Product mechanical data



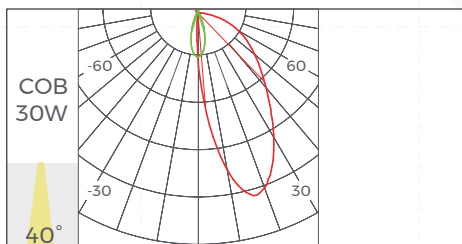
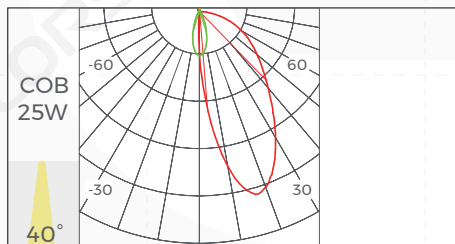
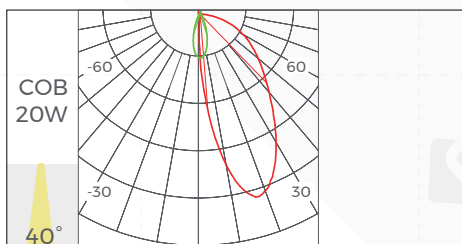
©Luminaire Parameters

Model	Size (mm)	Opening (mm)	Input (LED)	Power.tpy (W)	CRI	CCT	Beam Angle	Lumen (LM)
AE95L1	φ101*112.5	φ75	36V/500mA	20	>90	3000K	Wall washer	1300
			36V/600mA	25				1625
			36V/750mA	30				1950

Note:

- The above parameters were tested based on Ra90, 3000K, light source;
 2700K Light efficiency & Luminous flux=3000K*0.95
 3500K Light efficiency & Luminous flux=3000K*1.05
 4000K Light efficiency & Luminous flux=3000K*1.08
- The input voltage and input current belong to the light source.
- luminous flux is allowed to have a ±10% error range;
- The above parameters are typical values.

©Optical Parameter



©Packing

Model	Size (mm/box)	Quantity /box	Quantity /carton	NW (kg/box)	NW (kg/carton)	CW (kg)	Size (mm/carton)
DL-AE95L1-209030WW-NWM	156*156*124	1	24	0.65	15.6	20.7	636*480*262

©Model Code

DL - A	E	95	L	1	-	20	90	30	WW -	N	W	M
System DL: Downlights	Series A: Aurora	Installation E: Recessed R: Trimless Recessed	Opening Size 55: ø55mm 75: ø75mm 95: ø95mm	Diffuser L: Lens	Type I: Vertical angle is not adjustable	Type Power 20: 20W	CRI 90: Ra>90	CCT 27: 2700K 30: 3000K 35: 3500K 40: 4000K	Beam angle WW: wall washer	Dimming Method N: Non-Dimming D: 0-10V Dimming A: DALI Dimming X: No Power	Color W: White(Frame) B: Black(Frame)	Reflector Color M: Mirror C: Black chrome

©Attentions

1. Non-professionals are prohibited from installing, disassembling and repairing the product.
2. Avoid scratching, distortion and irregular bending of the product during installation; otherwise it may cause irreparable damage to the product.
3. Please use professional cutting tools when cutting
4. Do not use any acid or alkaline adhesive to fix products
5. The product is only suitable for indoor dry places, can not be used in outdoor, seaside or wet environment.