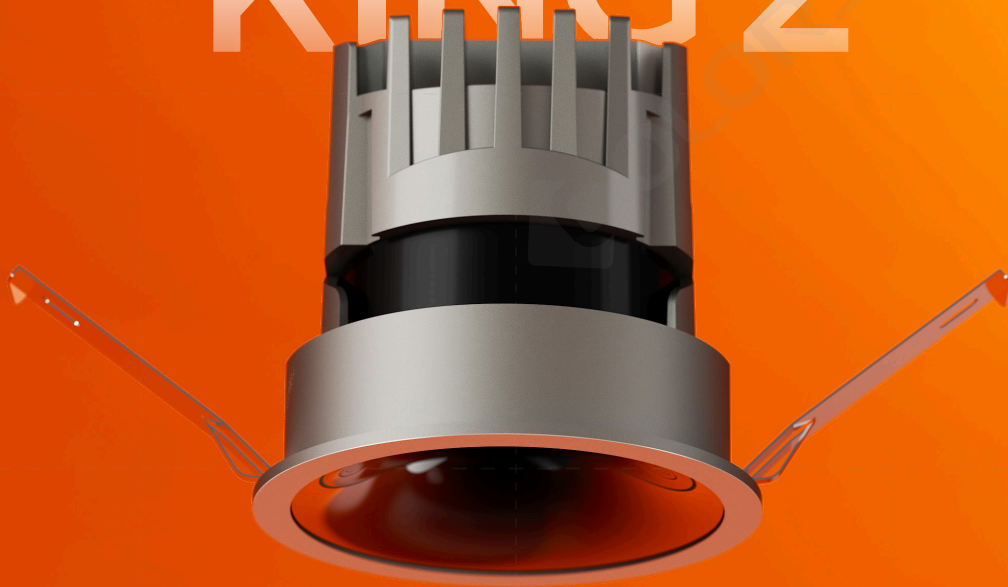


KING 2



Specially designed for high-end scenarios such as hotels and luxury mansions



Max Luminous Efficacy
115LM/W



Deep Anti-glare
UGR<1



All-metal Lamp
Body Design



Compact Size
with High Power

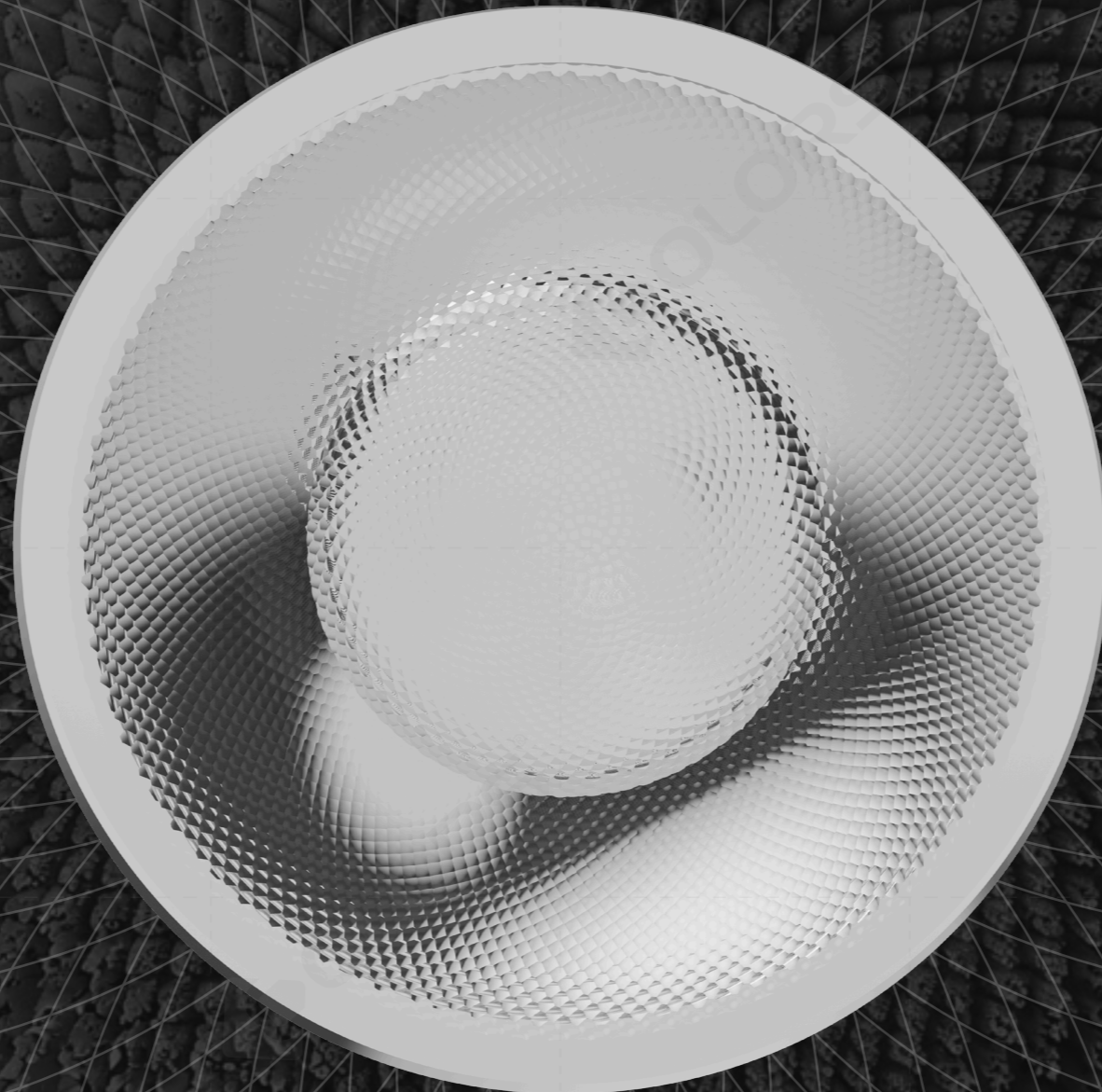
KING 2

KING 2 is a high-end series of downlights, the all-metal housing design ensures the reliability, the patented optical lens design ensures high light efficiency of 115LM/W and low glare of UGR<1, the modular design ensures the easy installation and easy maintenance.





Fibonacci Sequence Fermat Optical Technology



Patented Optical Lens Design
Maximize light output efficiency
high efficiency and anti-glare

Patented Lens Design

Naked-eye visible anti-glare optical technology enables healthy and comfortable lighting conditions.

Bessel's internal hole mixing design

Fermat Curve Microstructure

COLORS

VS

Others

UGR < 1

UGR < 3

UGR < 7

UGR < 11

UGR < 15

UGR < 19

4°

8°

10°

15°

24°

36°

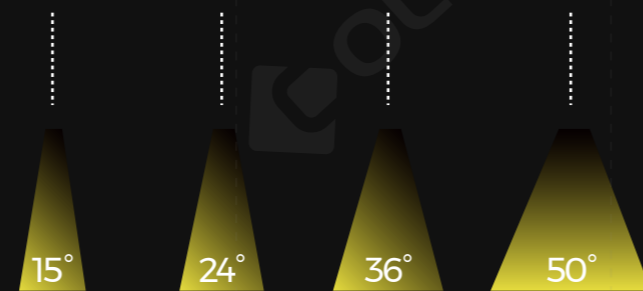
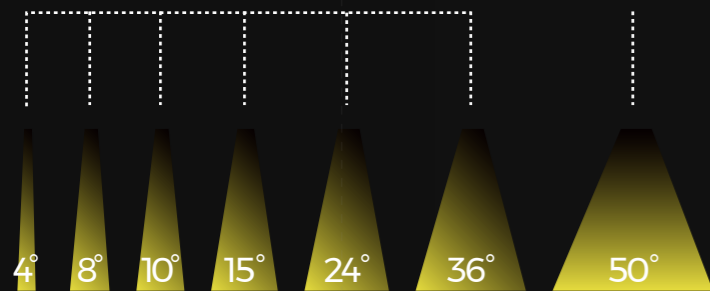
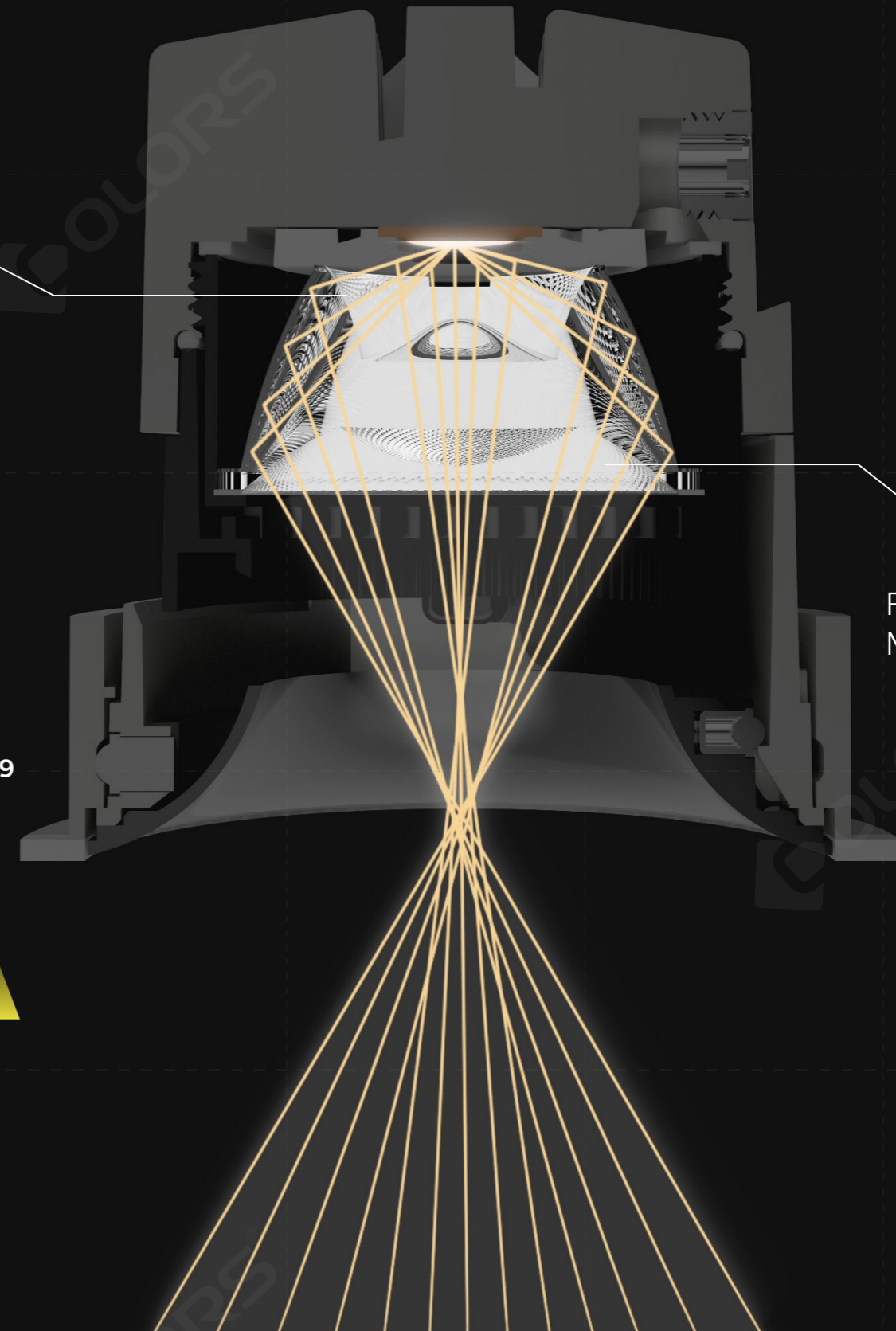
50°

15°

24°

36°

50°



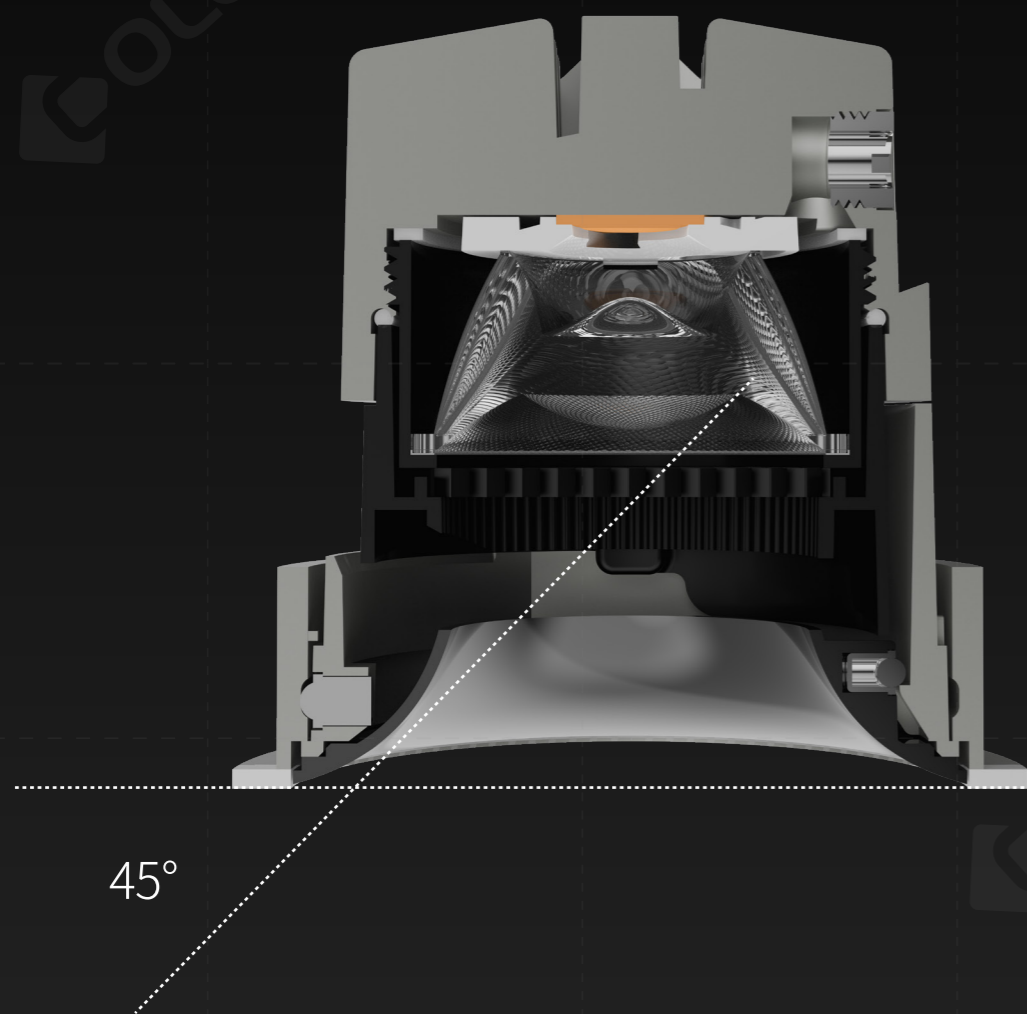
Ordinary round light spot

4°/8°/10°/15°/24°/36°/50°



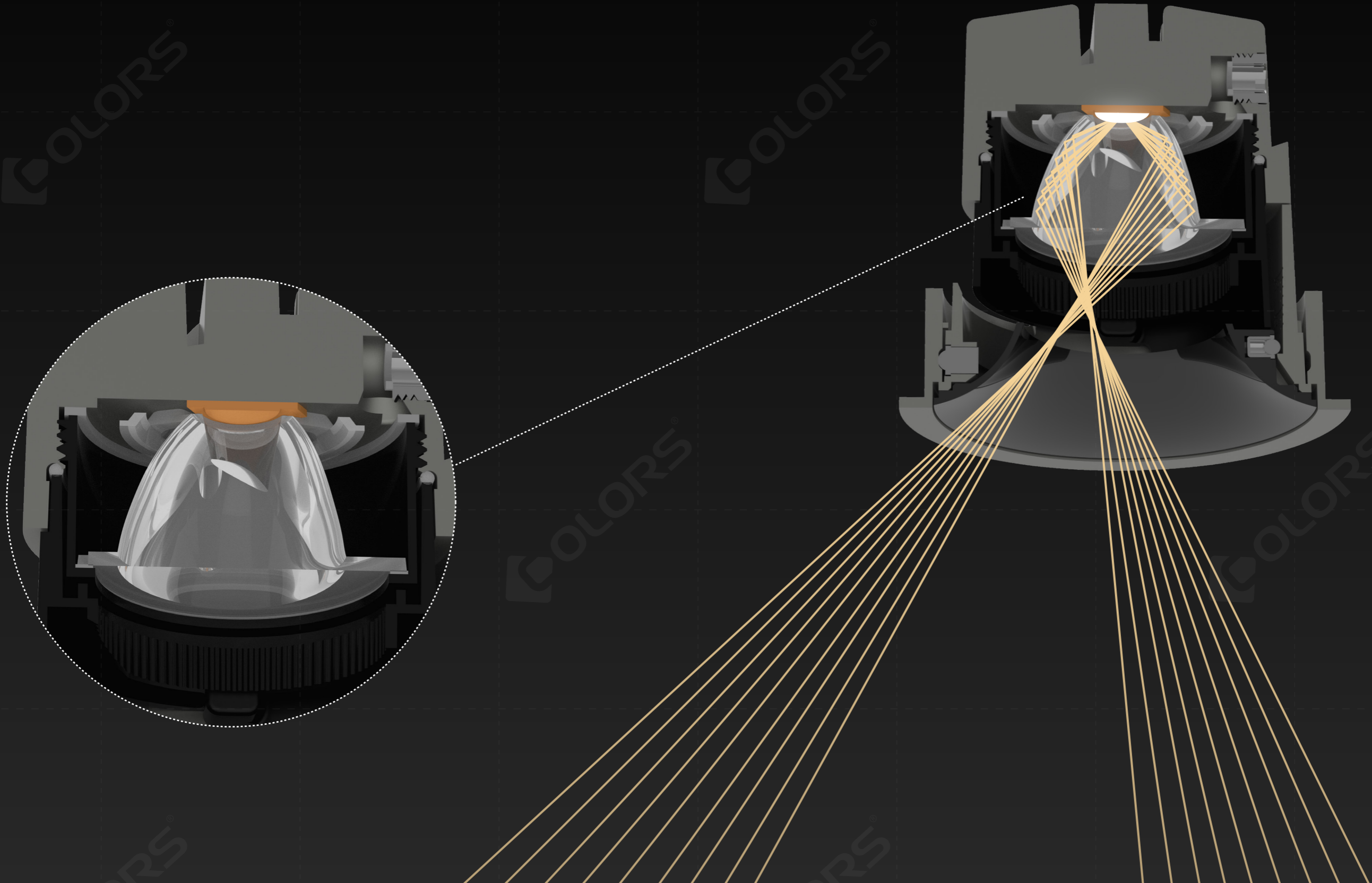
Deep Anti-glare High Efficiency

Cut-off angle $>45^\circ$, Max. 115LM/W



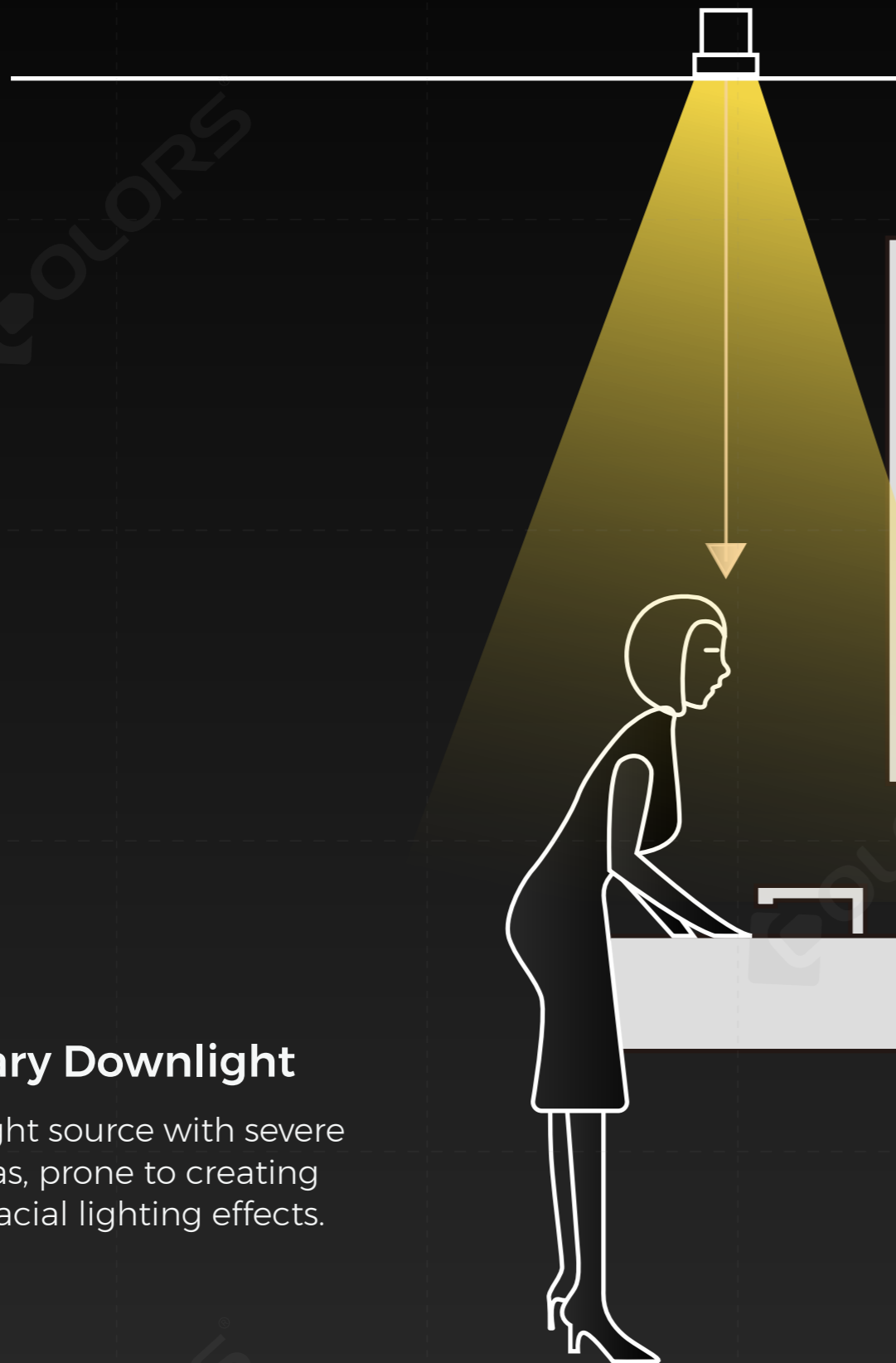
Asymmetrical Professional Lens Design

Dual Polarization Technology
Optical design that returns beauty to its essence



Vanity Downlight

Provides enough light for users without the need for additional wall lights.



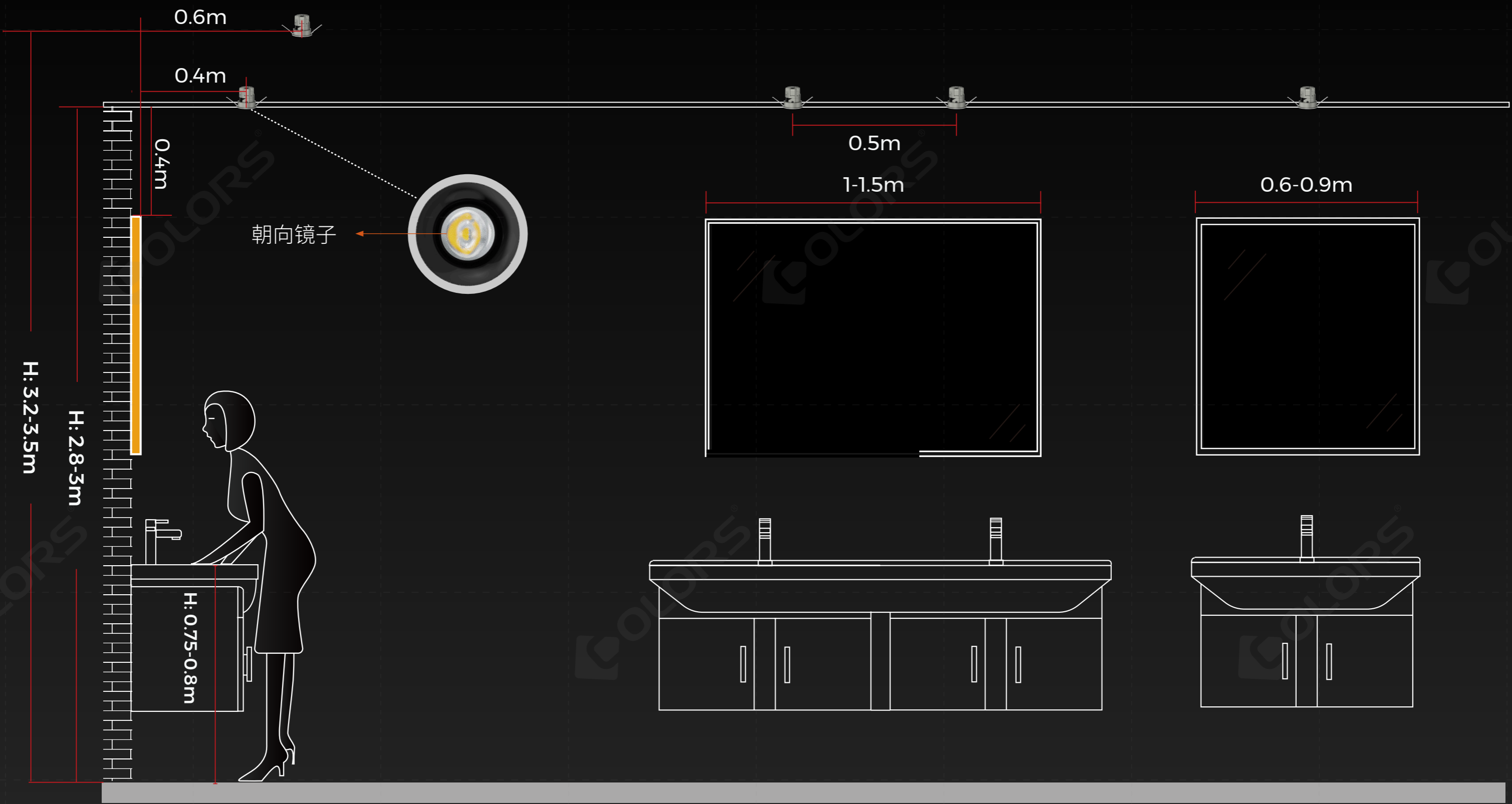
Ordinary Downlight

Single light source with severe dark areas, prone to creating uneven facial lighting effects.



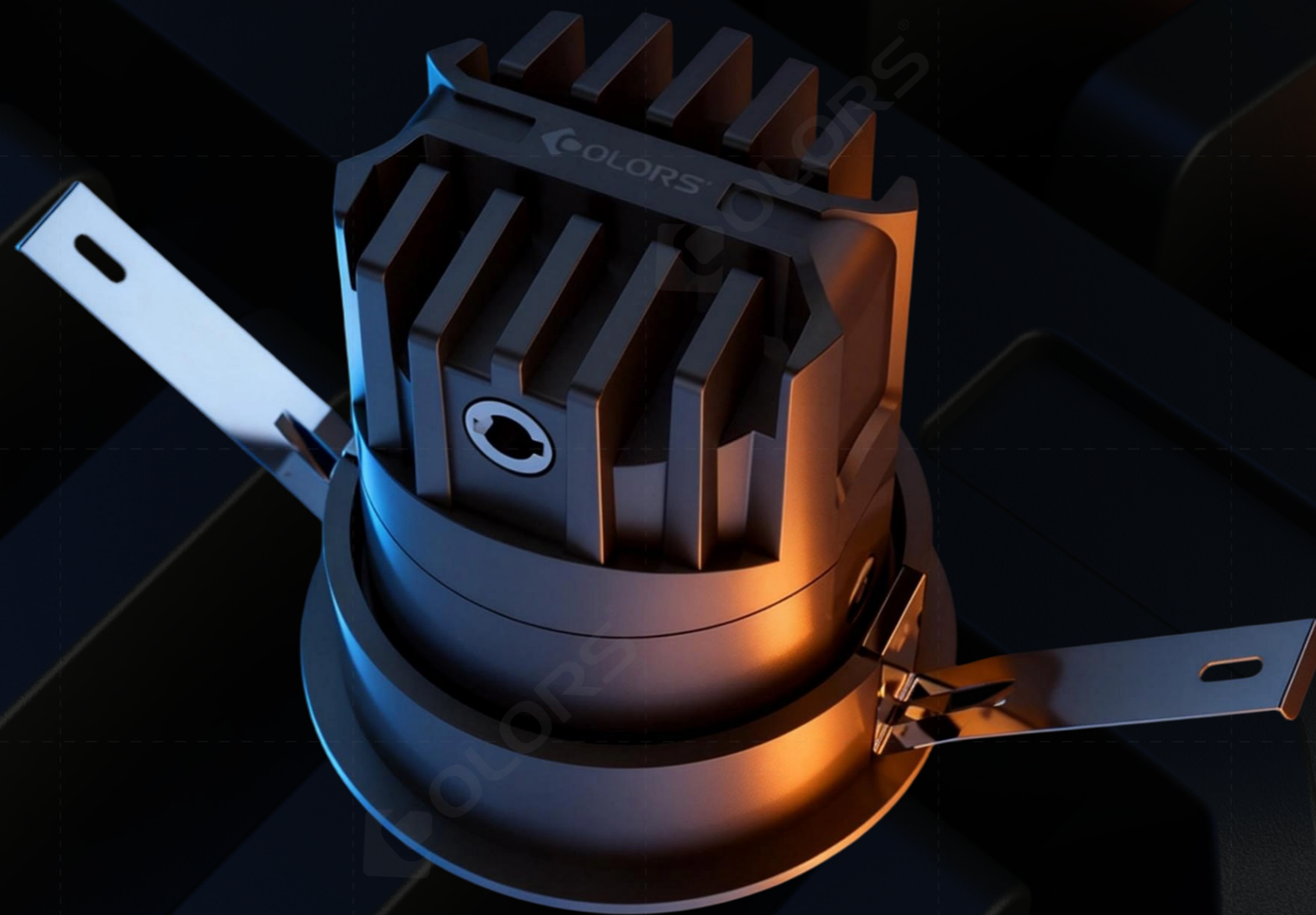
KING 2 Vanity Downlight

Less shadow on face No
worries of over makeup
No additional wall vanity lights



2

Ultimate industrial pursuit Modular split design



Superior industrial design combining technology and natural aesthetics
All-metal lamp body, compact size & high power
Modular split design with multiple options

Superior Industrial Design

Technological and natural aesthetics combined



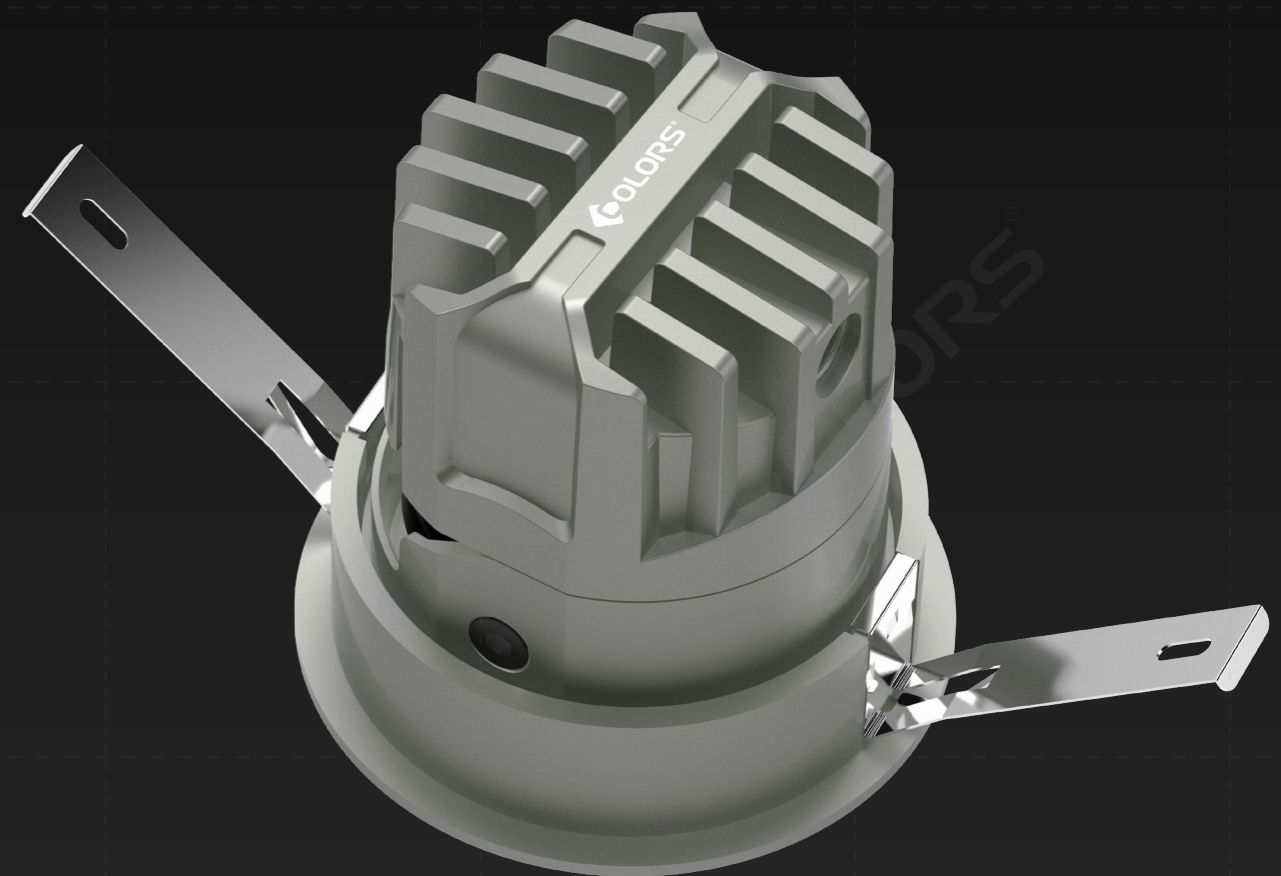
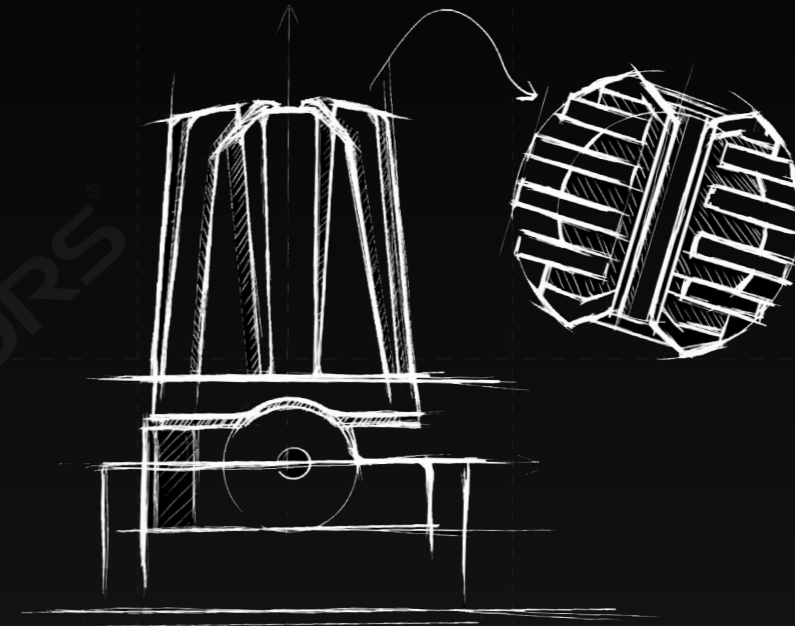
Sports Cars

Taking a cue from BMW's concept sports car, it inherits its futuristic and technological feel.



Rock

The product has the layers and hard appearance of mountain rock, and the coldness highlights the product's focus on function.

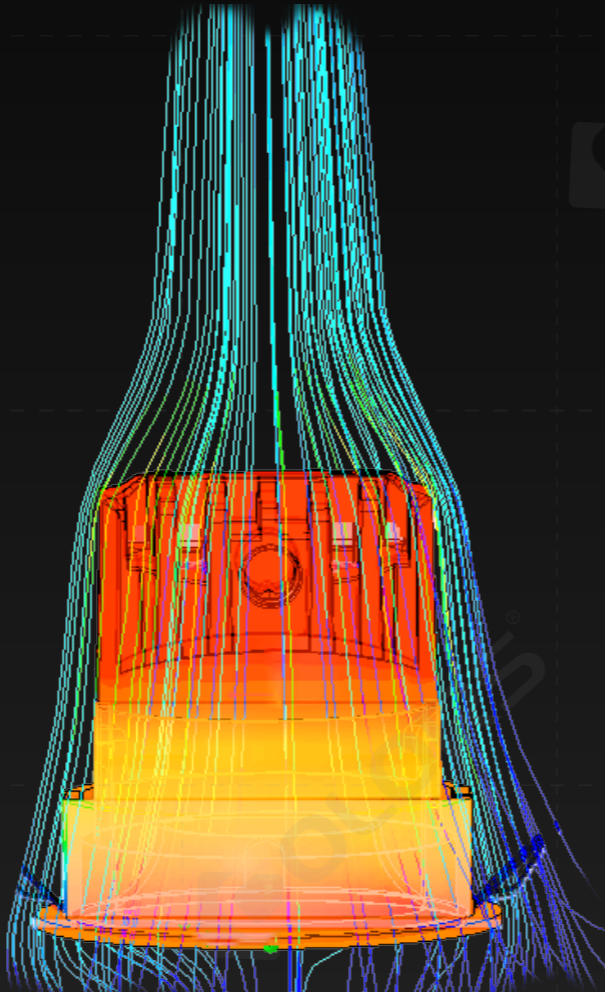
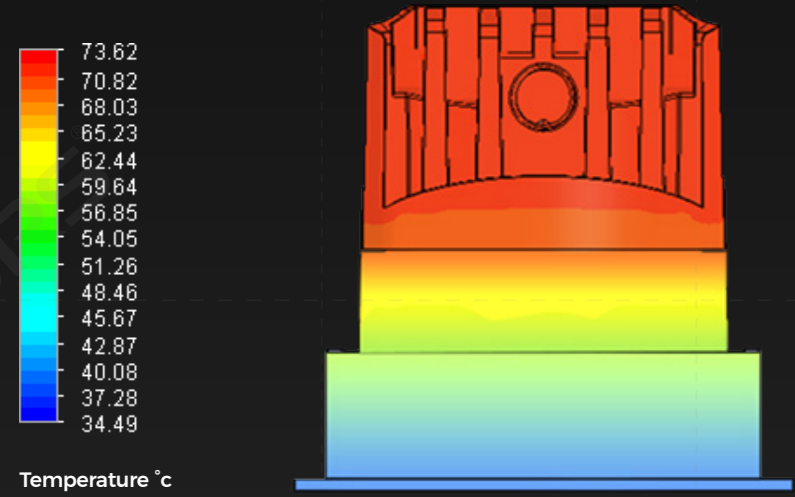


Rigorous Thermal Design Management

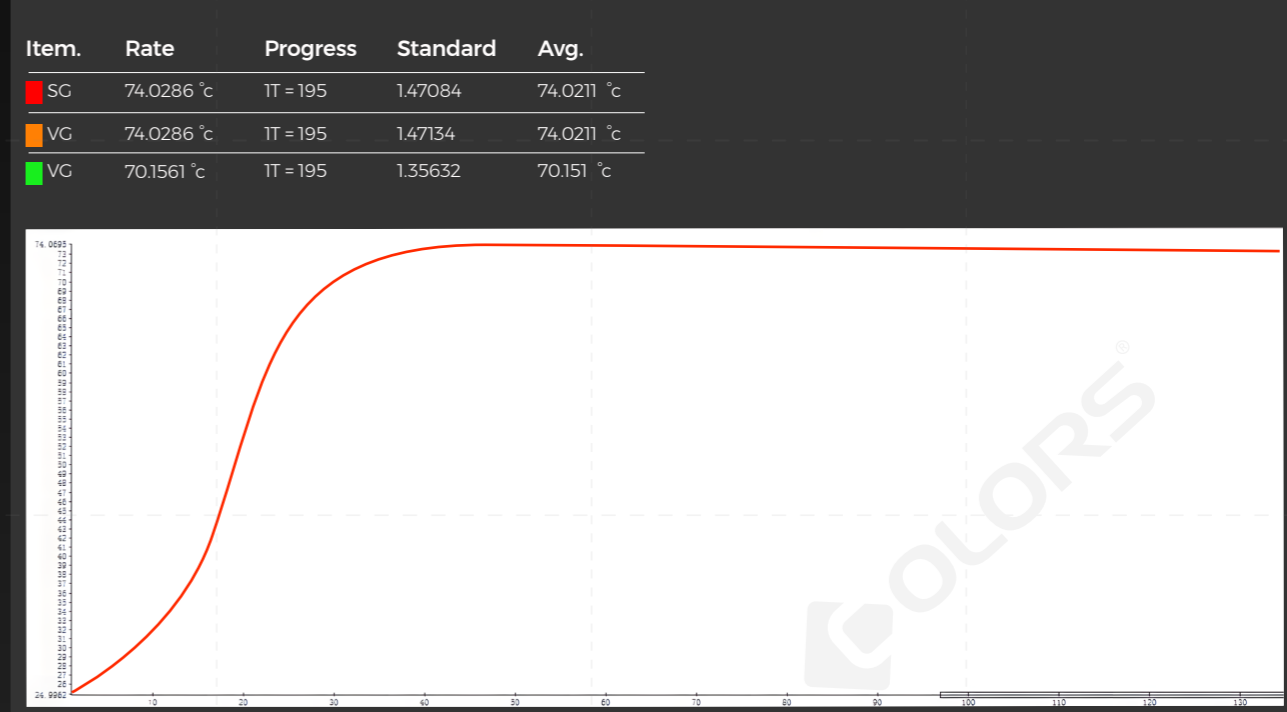
Longer luminaire life, reliable and stable quality



LED Downlight Heat Dissipation Simulation



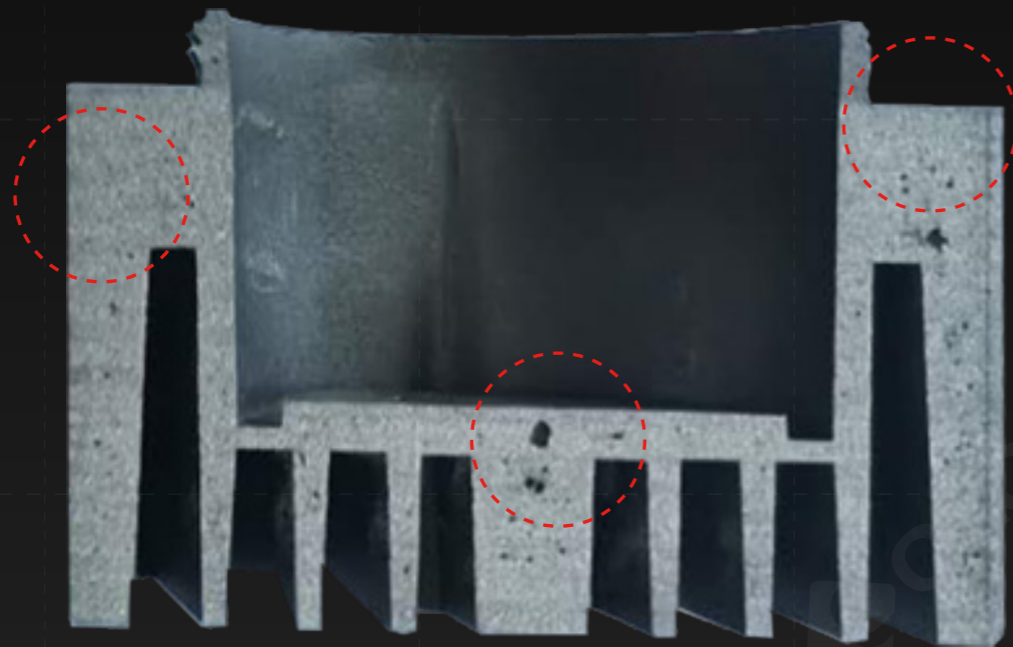
Curve of TC point temperature after lighting



Strict manufacturing process

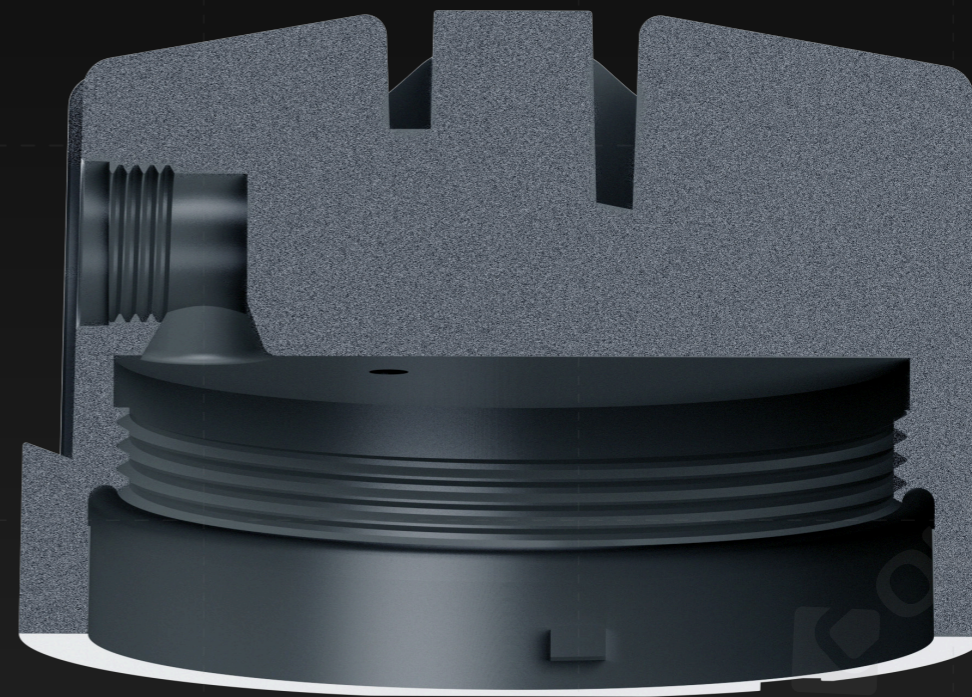
Stronger heat dissipation ability

Competitor's
Downight radiator section



VS

COLORS
Downight radiator section



Same cutout size Lower height and higher power

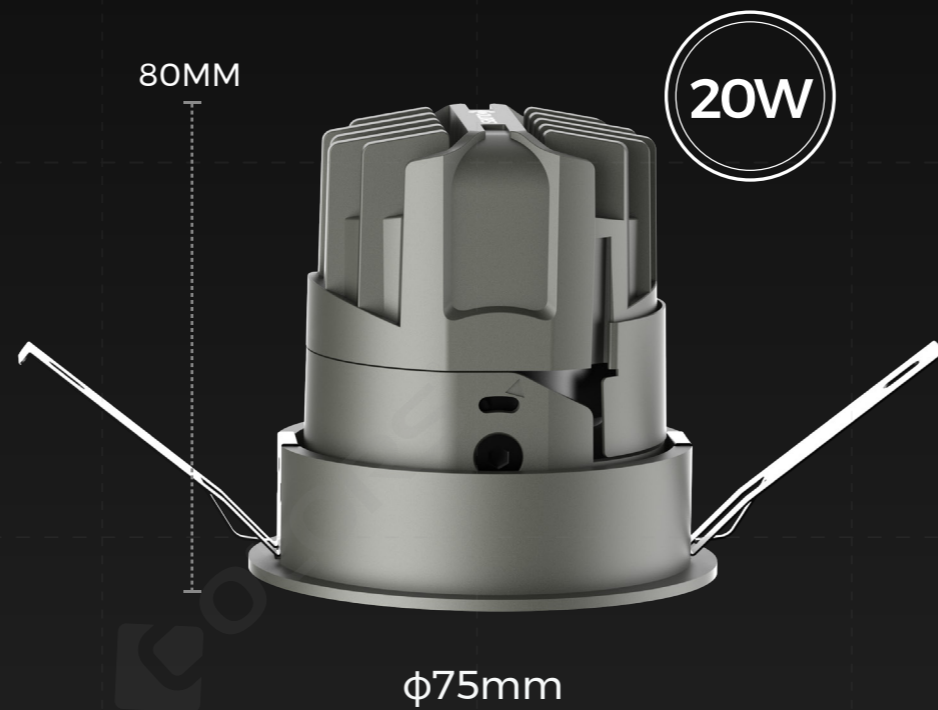
COLORS Slim

compact size with high power



COLORS Standard Version

compact size with high power



VS

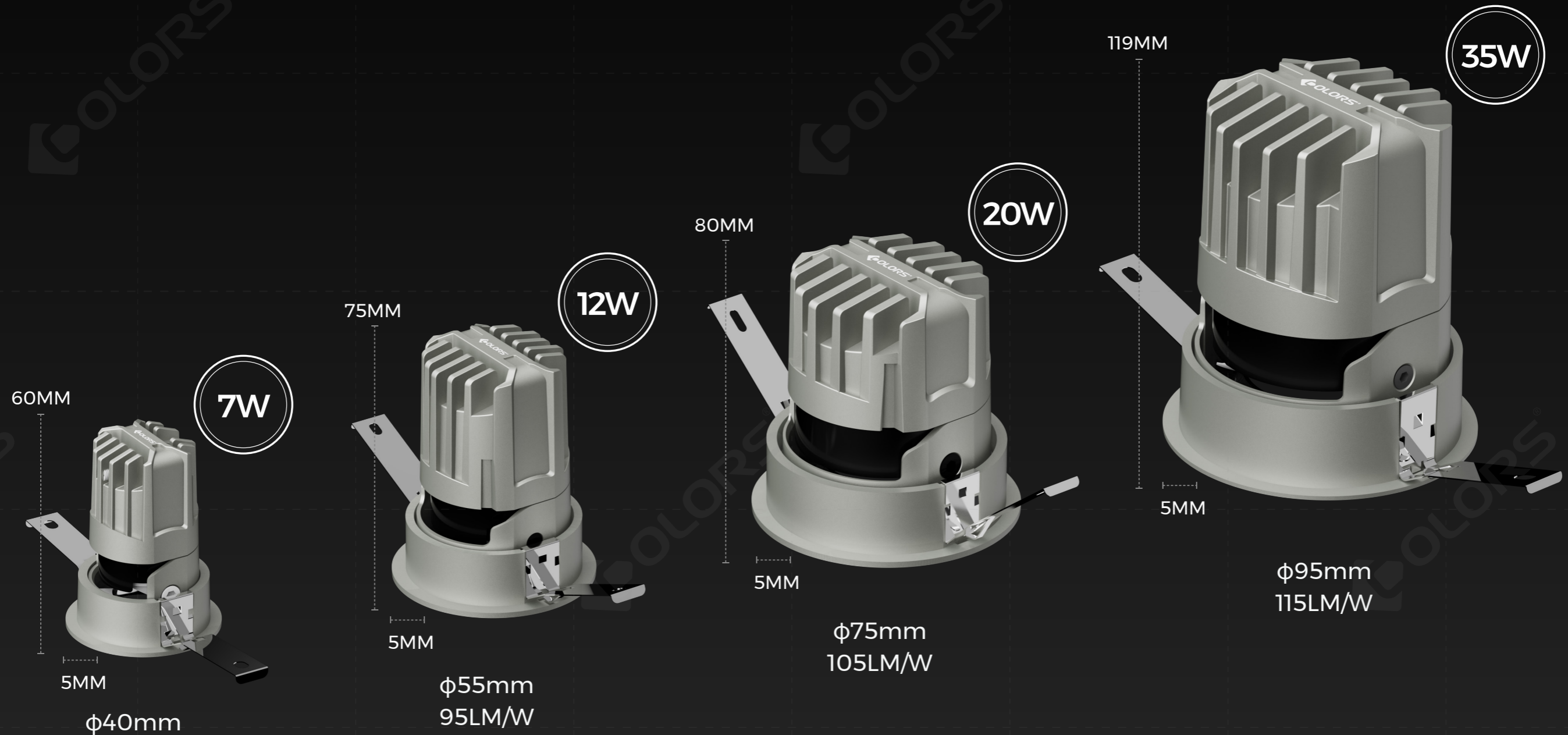
Ordinary market downlight

large size with low power



Full Metal Body Design, Small Size, High Power

More exquisite appearance, better heat dissipation performance
φ75mm Max. power 20W, φ95mm Max. power 35W

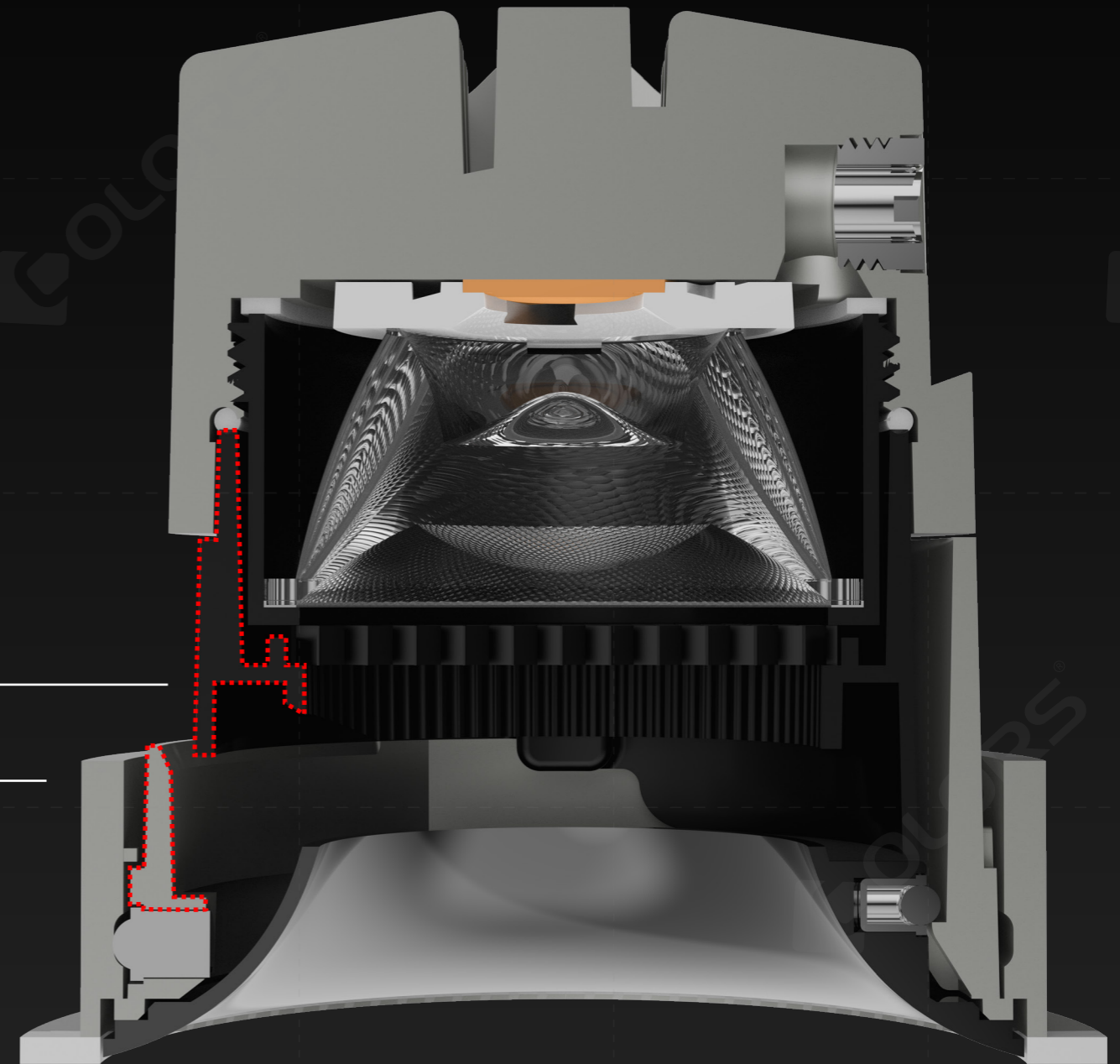


*Max. 115LM/W

Anti-light Leakage Structure Design

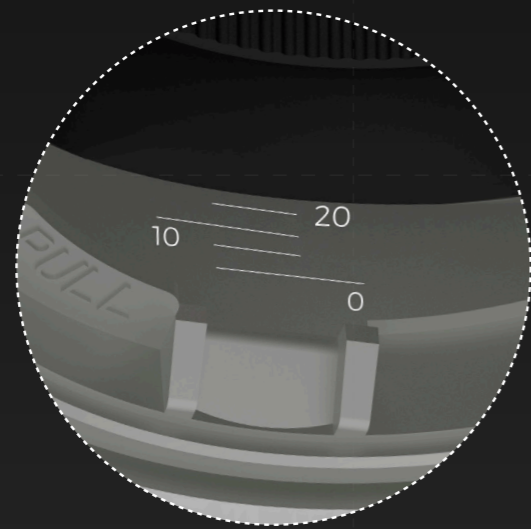
Controls light spillage to prevent light pollution and ensures more efficient light output into the intended space, maximizing utilization efficiency.

Anti-light leakage structure design



Adjustable Visual And Auditory Effects With Agile Adaptability

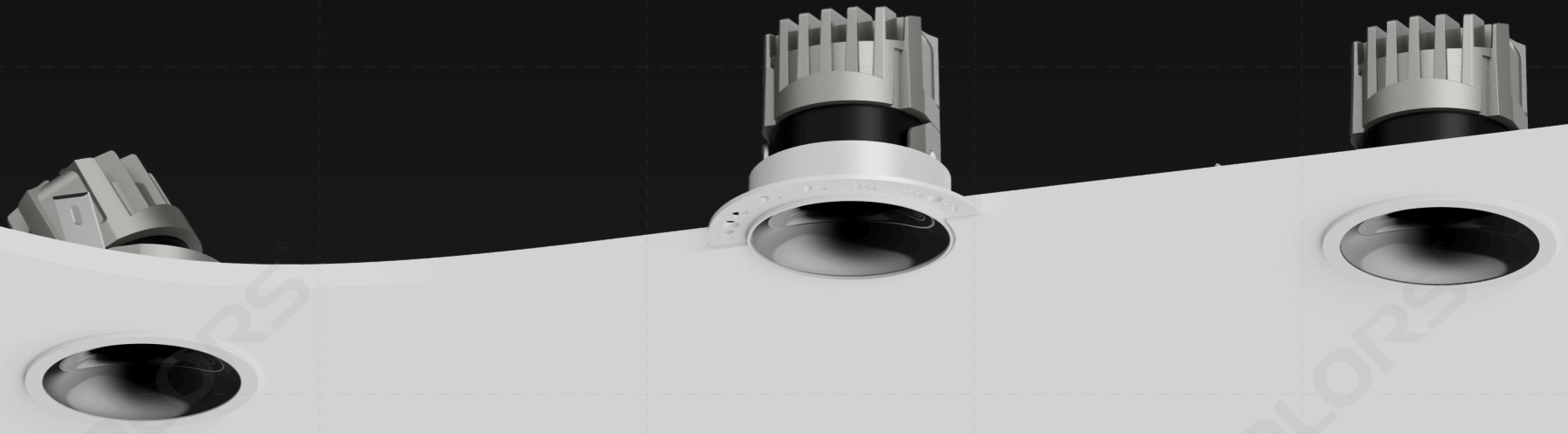
Precise adjustment scale with clear calibration markings.



Real-time start/stop response with precise positioning.



Ergonomic Handle Design For Easy Installation And Removal



IP54-rated Waterproof Luminaire

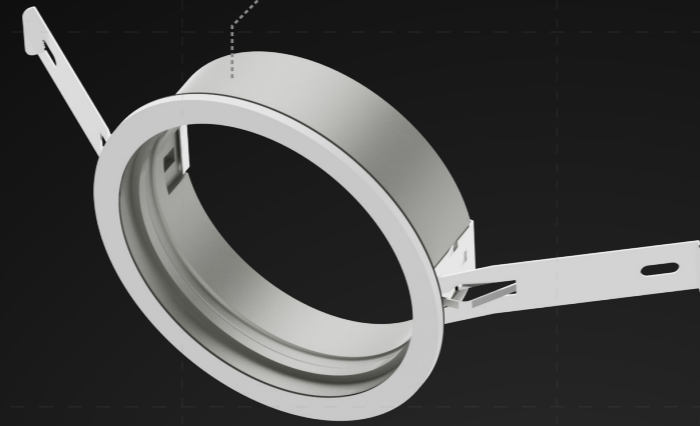
The product enables versatile application across multiple scenarios



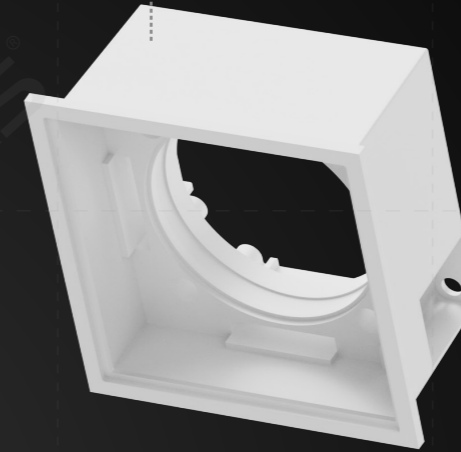
Modular Design Split Design

Multiple optics options, multiple reflectors available
Facilitates inventory stocking and replacement

Round Frame

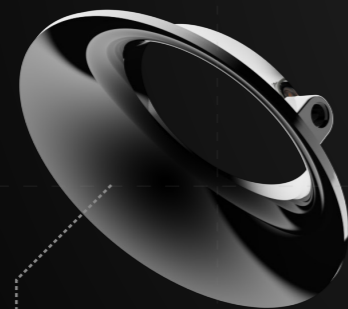


Square Frame



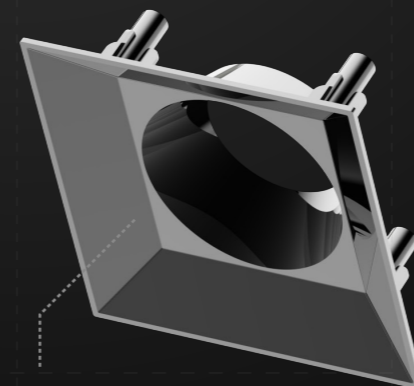
Universal Module

4°	8°	10°	15°	24°	36°	50°
2700 K	3000 K	3500 K	4000 K	CCT 2700-6500K		



Round Reflector

Matte black / Matte white / Champagne gold / Mirror / Black chrome

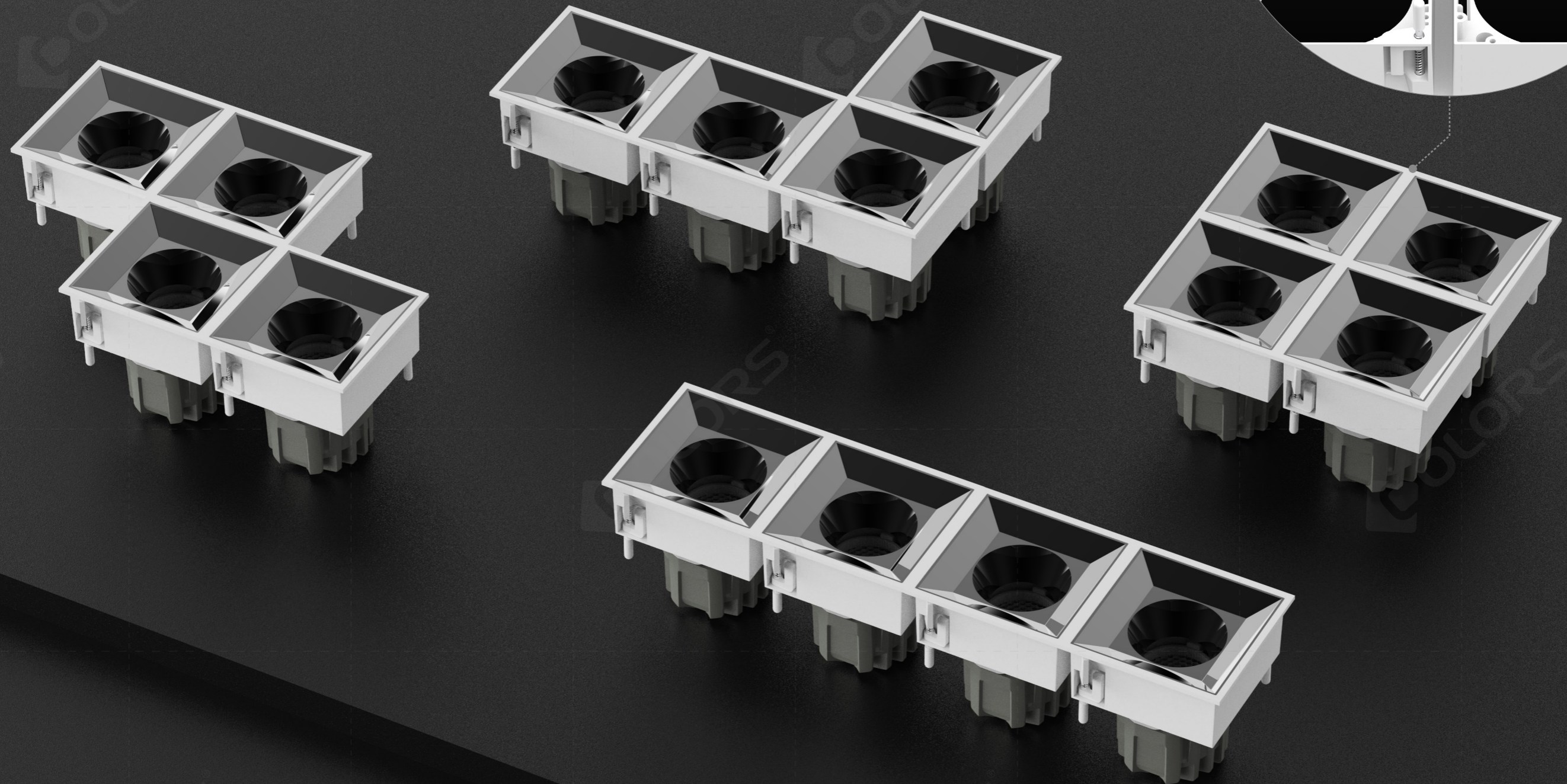
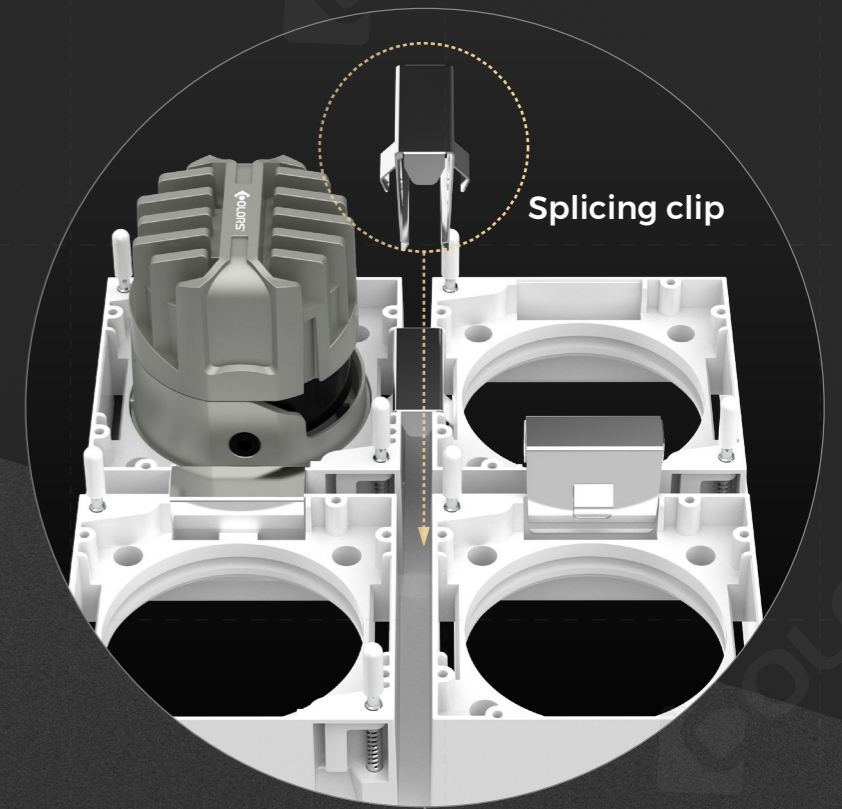


Square Reflector

Matte black / Matte white / Champagne gold / Mirror / Black chrome

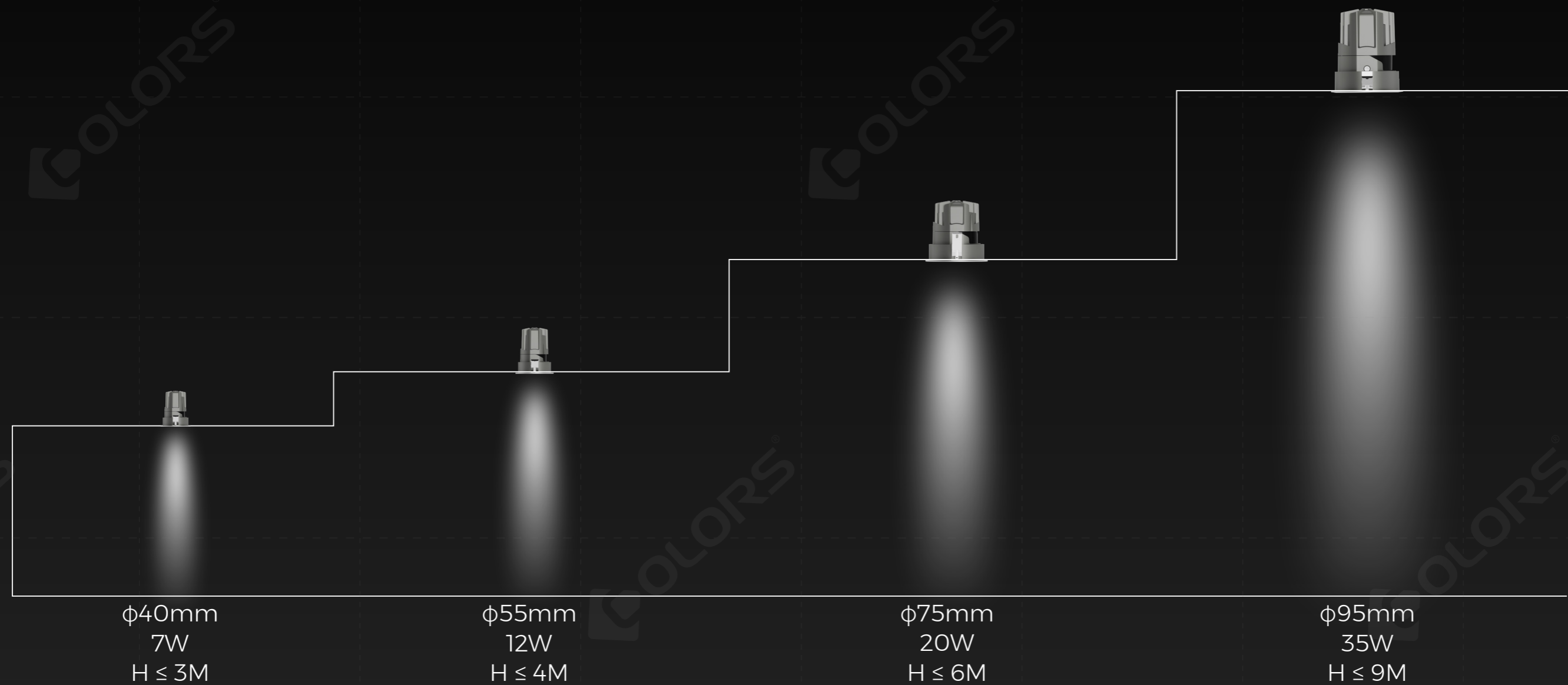


Convenient and flexible, with infinite splicing





The Most Complete & Versatile Family of Lighting Solutions



Adjust The Brightness And CCT For Individual Application

White and bright to warm and dim, tunable white gives character to its environment



3

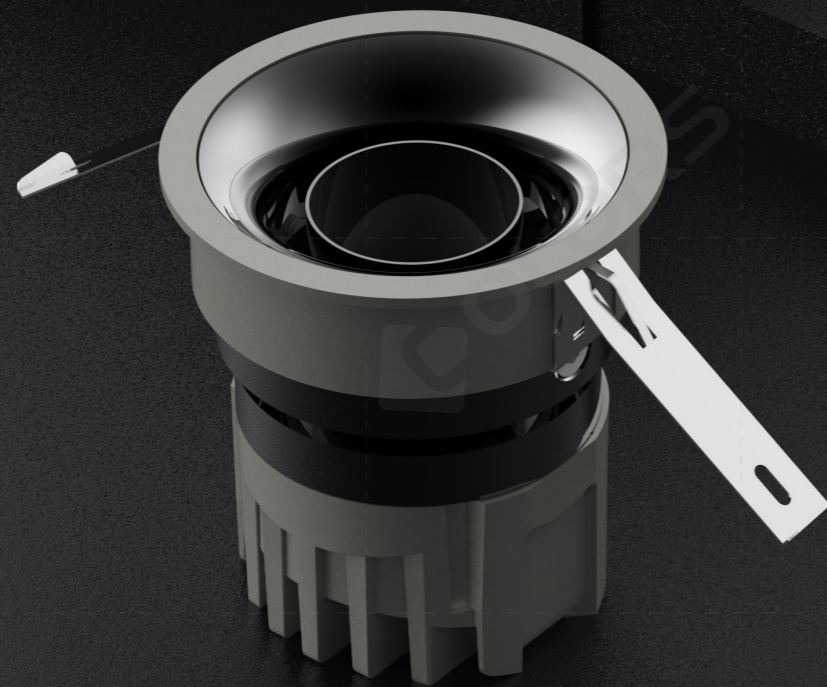
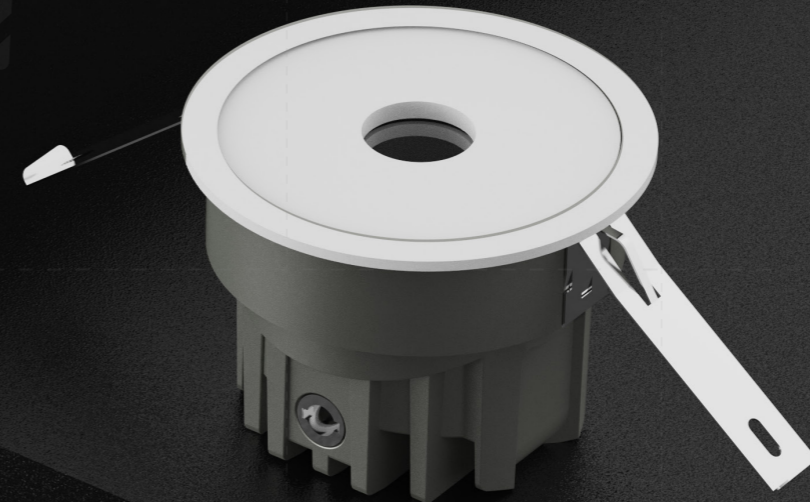
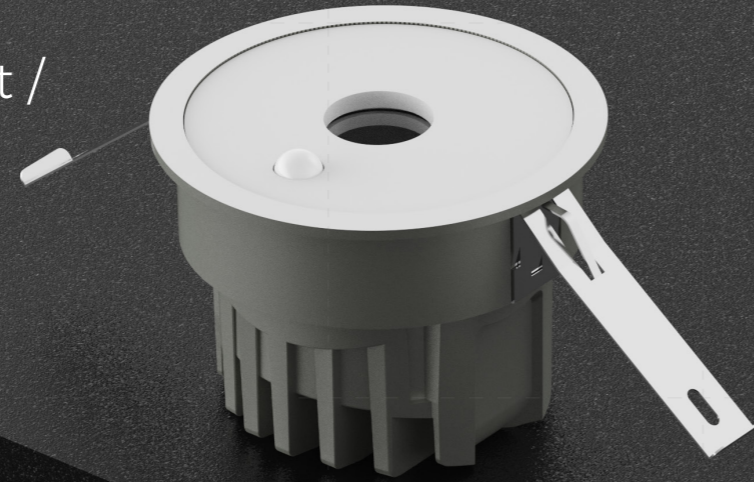
Full Product Model Matrix All-scenario Professional Lighting Solutions



It features multiple product types including pinhole anti-glare light, recessed eyeball deep anti-glare light, surface-mounted light and wall lamp, to satisfy the lighting demands of diverse application scenarios.

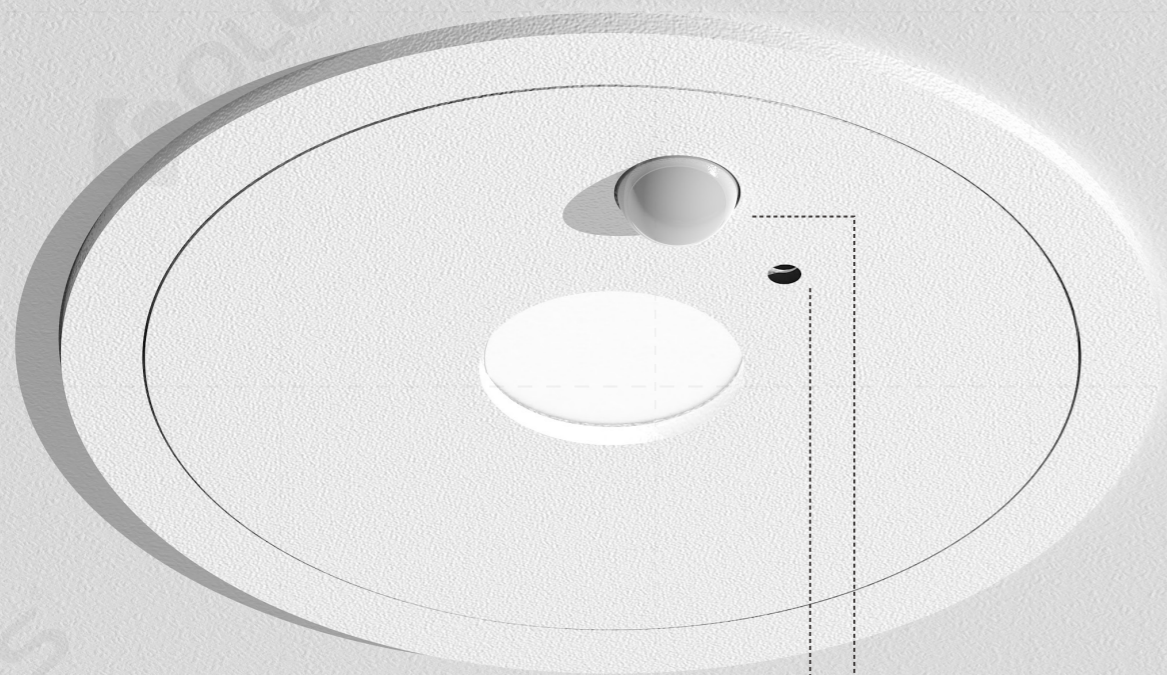
Various deep anti-glare models available

Pinhole (Inductive) Light Outlet /
Deep Anti-glare



Human body & light dual induction

Smart sensing for smart life



Human body induction sensor

Light sensor

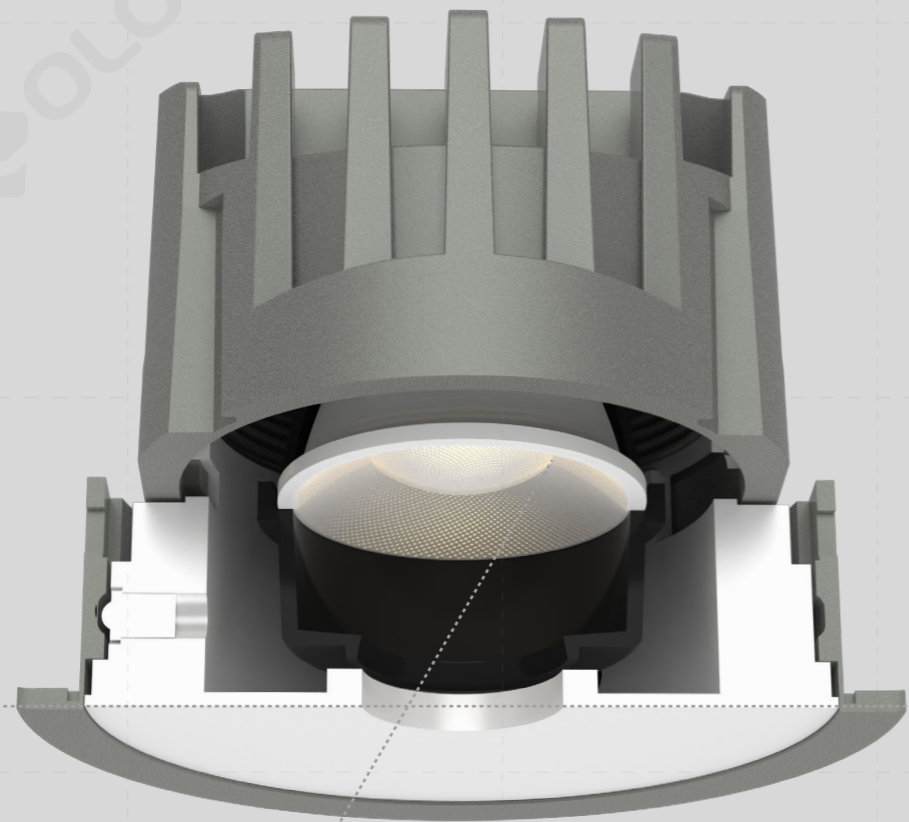
Sensitively capture dynamic signals

turn on when people approach, delay off after people leave



Ultimate pinhole anti-glare

Deep glare prevention,
visible light without lamp visible

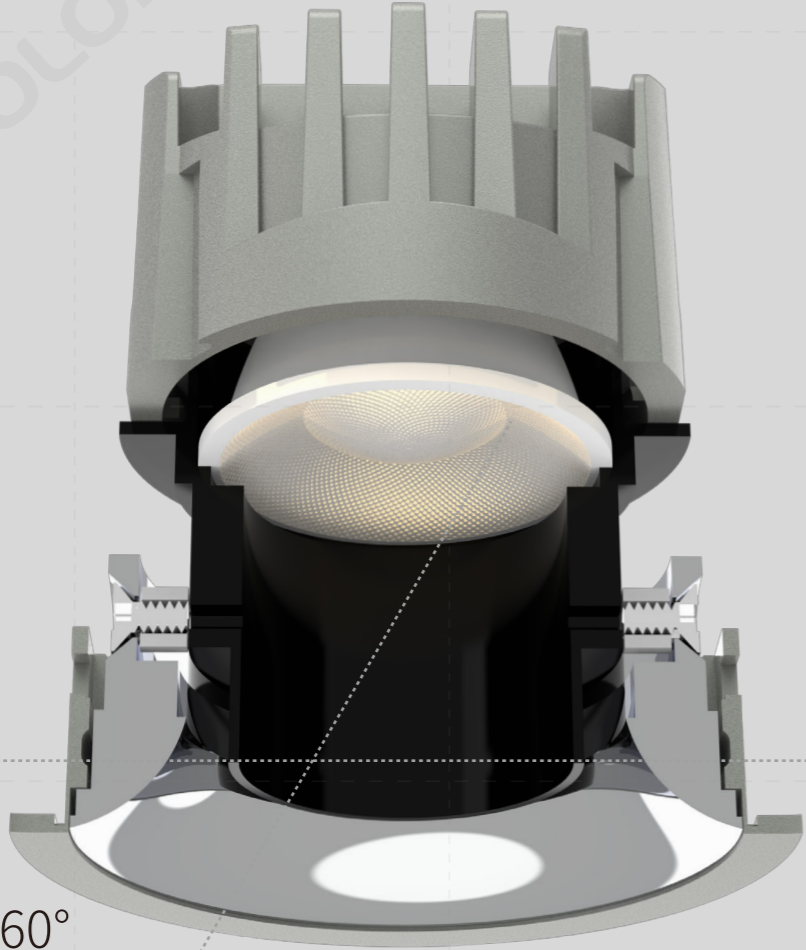


60°



Recessed eyeball deep anti-glare

Deep glare prevention,
visible light without lamp visible



Surface ceiling-mounted / Suspended-mounted angle adjustable & IP65



φ110*H151 MAX30W



φ80*H124 MAX20W



φ60*H110 MAX12W



20°



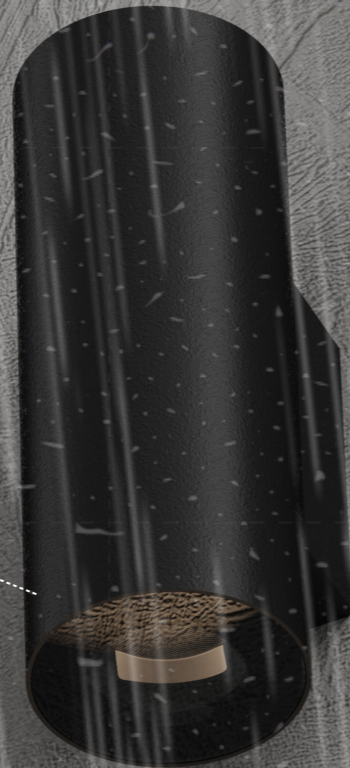
Adopt high-grade indoor optical technology for outdoor lighting

Wall Lights / Surface Ceiling

φ73*H148 12W



φ73*H200 2*7W





Tel: +86-755-2923-1888

E-mail: colors@colorsled.com

Web: www.colorsled.com

Add: 17F, Block B, Building 2, North of Skyworth

Inno Valley, Shiyan town, Bao'an District, Shenzhen

