

DOWNLIGHTS



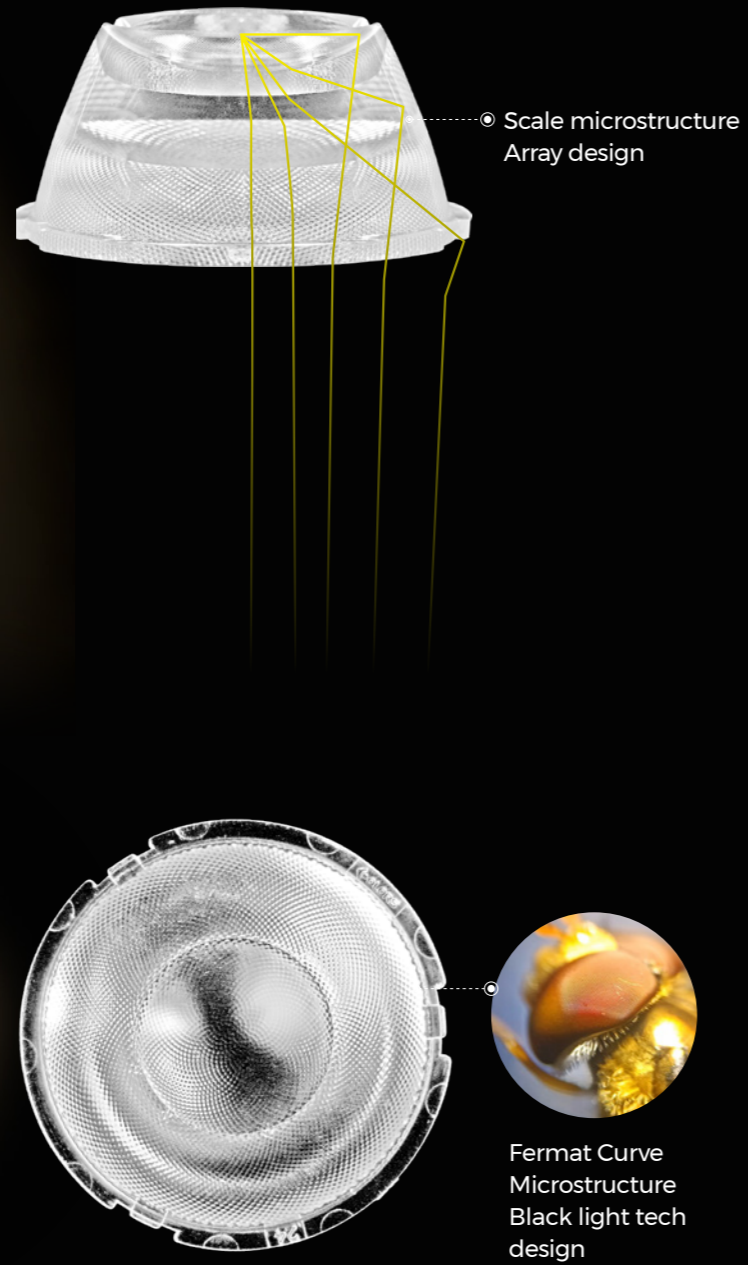
KING

KING series has a deep anti-glare design, shade angle of 35 °, narrow edge design 5mm, with excellent optical design, patented lens design, multiple optical options, the highest light effect of 100LM / W, luxury villas and star hotels, light spot uniformity and soft. The product's full metal design and anti-light leakage design meets the designer's ultimate pursuit of product application.



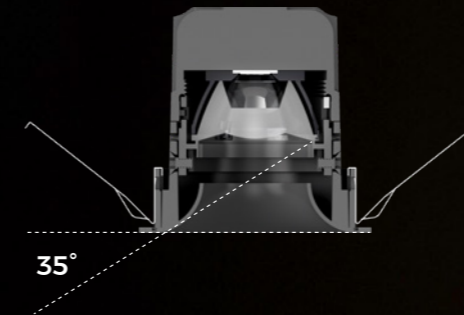
Patented lens design

Bessel's internal hole mixing design provides a delicate and smooth transition of the wallwashing spot with precise control of each beam of light.



Deep anti-glare High efficiency

100LM/W
UGR<6



(The picture is the actual effect of 15W, King series)

Superior industrial design

Technological and natural aesthetics combined



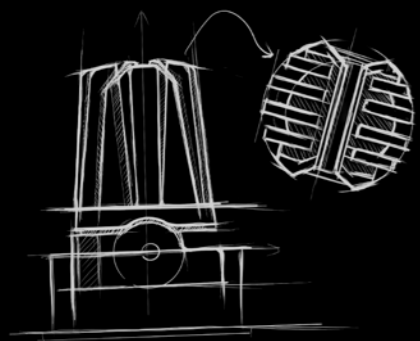
Sports Cars

Taking a cue from BMW's concept sports car, it inherits its futuristic and technological feel.



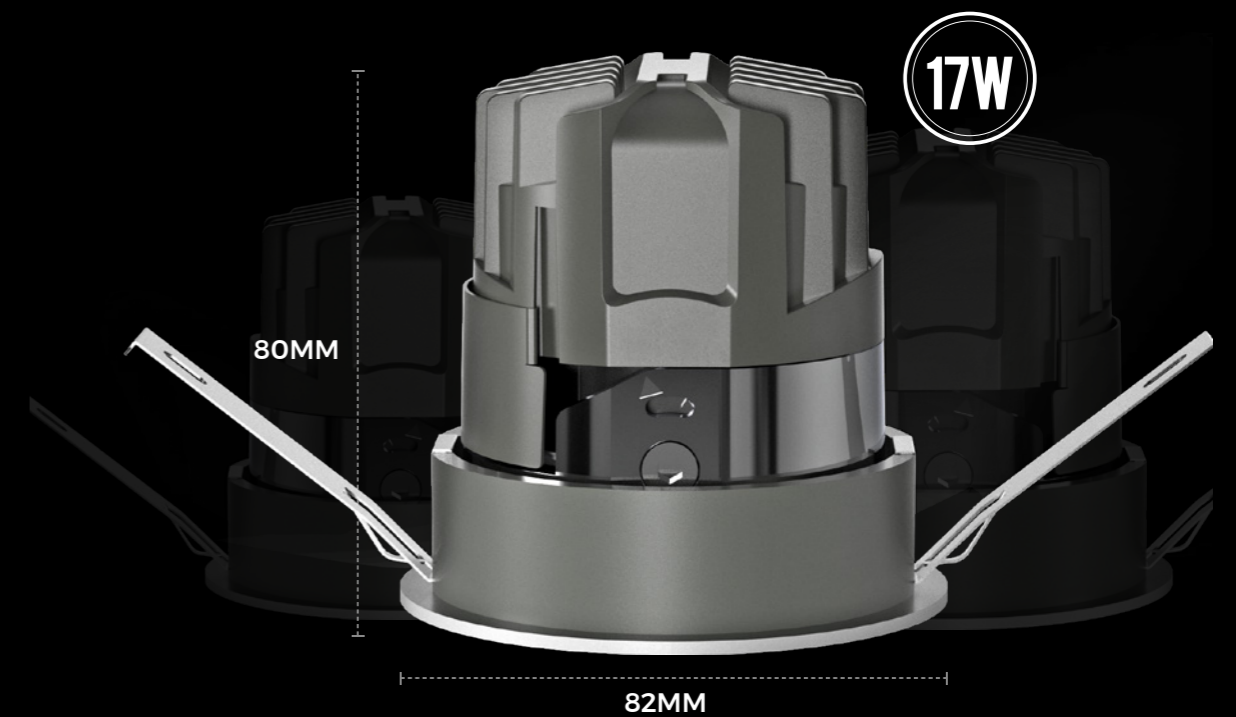
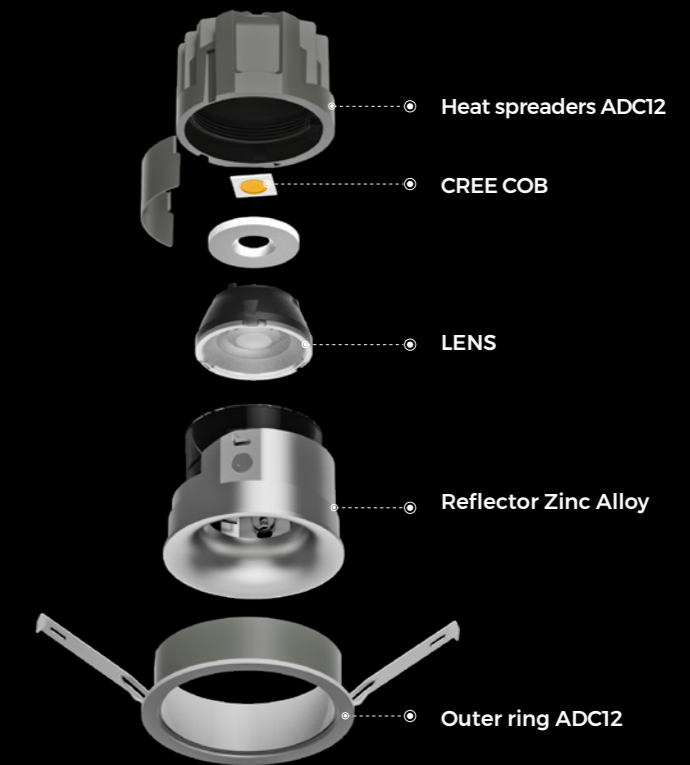
Rock

The product has the layers and hard appearance of mountain rock, and the coldness highlights the product's focus on function.



Full metal body design. Small size, high power

More exquisite appearance, better heat dissipation performance using new zinc alloy material
Max. power 17W



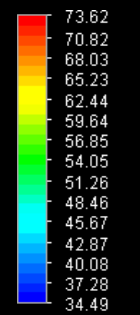
Rigorous thermal design management

Longer luminaire life, reliable and stable quality

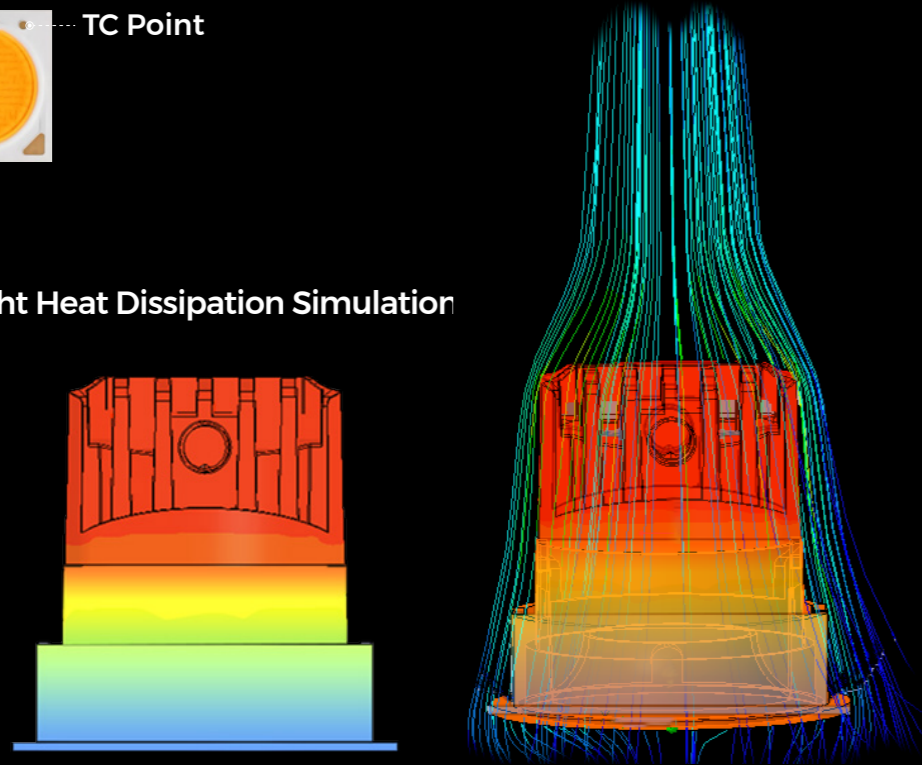
COB TC Point



LED Downlight Heat Dissipation Simulation

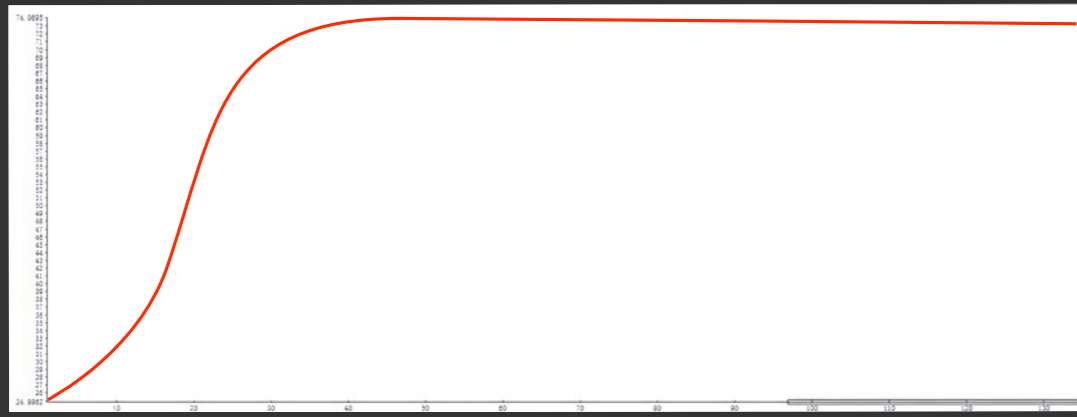


Temperature °c



Curve of TC point temperature after lighting

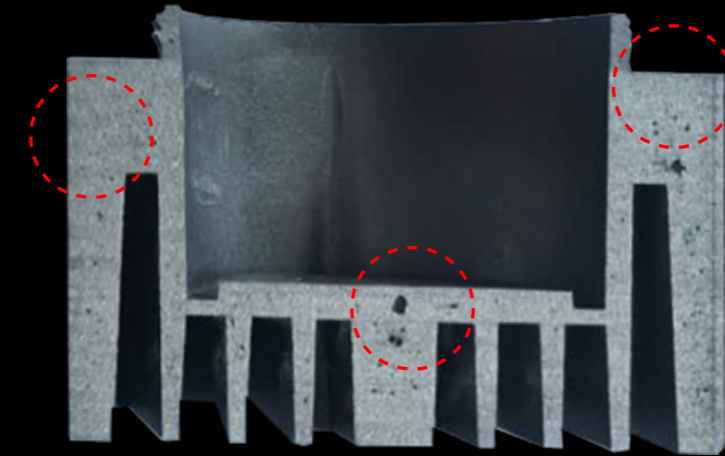
Item.	Rate	Progress	Standard	Avg.
SG	74.0286 °c	TT = 195	1.47084	74.0211 °c
VG	74.0286 °c	TT = 195	1.47134	74.0211 °c
VG	70.1561 °c	TT = 195	1.35632	70.151 °c



Strict manufacturing process

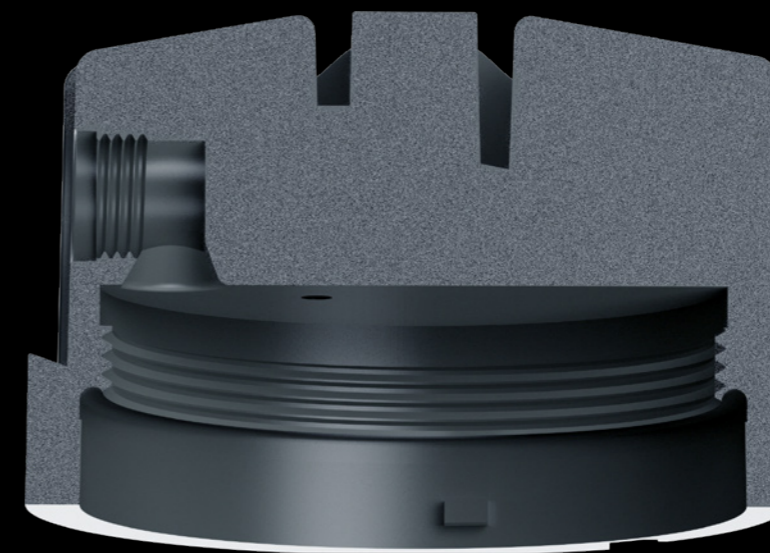
Stronger heat dissipation ability

Downlight radiator section



Competitor's
Downlight radiator
section COLORS

VS



COLORS

Modular design

Multiple optics options
multiple reflectors available



Split design

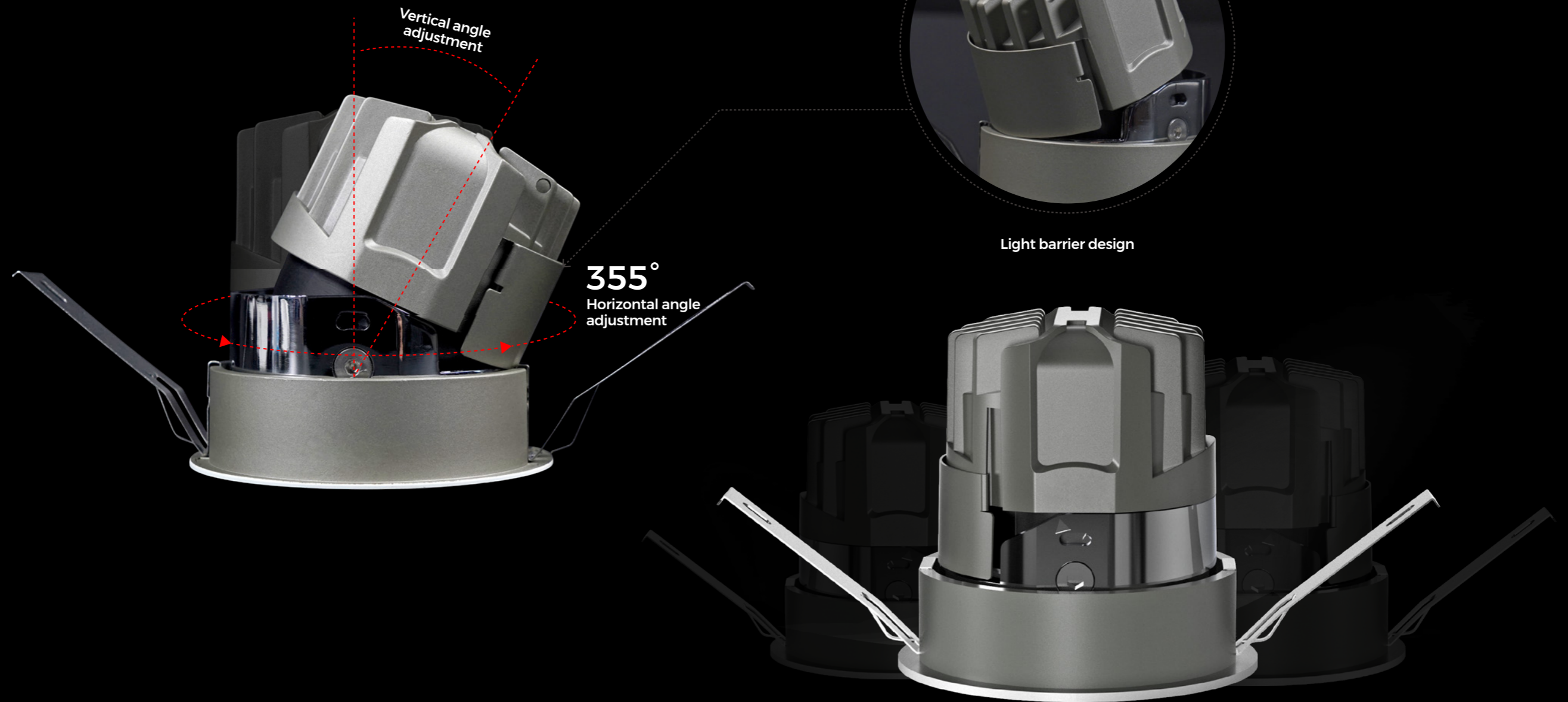
Split design, easy to replace the reflector and
radiator modules, easy maintenance, without
damaging the ceiling.



Mechanical angle adjustment Anti-light leakage structure design

Mechanical adjustable angle, with a good degree of tension.

Anti-light leakage structure design, so that the light out of a more efficient design



Application



Product list



KE55L2



KR55L2



Model	Size	Opening size	Light source	IP grade	Border Color	Reflector Color	CRI	Input voltage	Input Current	Power	Beam angle	CCT	Luminous flux
KE55L2 KR55L2	φ62*H74.5mm φ80*H74.5mm	φ55mm	COB	IP20	White Black	Mirror Black chrome Matte black Matte white Champagne Gold	> 90RA	220-240VAC	150mA	6W	15°	2700K	320
												3000K	340
												4000K	365
											24°	2700K	375
												3000K	395
												4000K	425
											36°	2700K	425
												3000K	450
												4000K	480
											42°	2700K	400
												3000K	420
												4000K	450
KE55L2 KR55L2	φ62*H74.5mm φ80*H74.5mm	φ55mm	COB	IP20	White Black	Mirror Black chrome Matte black Matte white Champagne Gold	> 90RA	220-240VAC	200mA	8W	15°	2700K	430
												3000K	455
												4000K	485
											24°	2700K	505
												3000K	530
												4000K	570
											36°	2700K	570
												3000K	600
												4000K	640
											42°	2700K	530
												3000K	560
												4000K	570
KE55L2 KR55L2	φ62*H74.5mm φ80*H74.5mm	φ55mm	COB	IP20	White Black	Mirror Black chrome Matte black Matte white Champagne Gold	> 90RA	220-240VAC	250mA	10W	15°	2700K	505
												3000K	530
												4000K	570
											24°	2700K	600
												3000K	630
												4000K	675
											36°	2700K	615
												3000K	650
												4000K	695
											42°	2700K	625
												3000K	660
												4000K	705

Product list



KE75L2



KR75L2



Model	Size	Opening size	Light source	IP grade	Border Color	Reflector Color	CRI	Input voltage	Input Current	Power	Beam angle	CCT	Luminous flux		
KE75L2 KR75L2	φ82*H80mm φ100*H80mm	φ75mm	COB	IP20	White Black	Mirror Black chrome Matte black Matte white Champagne Gold	> 90RA	220- 240VAC	200mA	8W	15°	2700K	430		
												3000K	455		
												4000K	485		
											24°	2700K	645		
												3000K	680		
												4000K	725		
											38°	2700K	720		
												3000K	760		
												4000K	815		
											50°	2700K	655		
												3000K	690		
												4000K	740		
											250mA	10W	10°	2700K	425
														3000K	450
														4000K	480
									15°	2700K			540		
										3000K			570		
										4000K			610		
									24°	2700K			800		
										3000K			840		
										4000K			900		
									38°	2700K			855		
										3000K			900		
										4000K			965		
									50°	2700K			815		
										3000K			860		
										4000K			920		
									300mA	12W	15°	2700K	615		
												3000K	910		
												4000K	695		
											24°	2700K	890		
												3000K	935		
												4000K	1000		
											38°	2700K	1000		
												3000K	1055		
												4000K	1130		
											50°	2700K	910		
												3000K	960		
												4000K	1030		
											350mA	15W	15°	2700K	685
														3000K	720
														4000K	770
									24°	2700K			995		
										3000K			1050		
										4000K			1125		
38°	2700K	1225													
	3000K	1290													
	4000K	1380													
50°	2700K	1110													
	3000K	1170													
	4000K	1250													
400mA	17W	15°	2700K	775											
			3000K	815											
			4000K	870											
		24°	2700K	1130											
			3000K	1190											
			4000K	1275											
		38°	2700K	1385											
			3000K	1460											
			4000K	1560											
		50°	2700K	1260											
			3000K	1325											
			4000K	1420											



LED LINEAR &
COMMERCIAL
LIGHTING



Tel: +86-755-2923-1888

E-mail: colors@colorsled.com

Web: www.colorsled.com

Add: 17F, Block B, Building 2, North of Skyworth

Inno Valley, Shiyan town, Bao'an District, Shenzhen